

REVISION HISTORY				
SCH REV	PCB REV	ECO #	DATE	COMMENT
1.0	1.0		04-25-05	INITIAL RELEASE
1.1	1.1	1728	06-03-05	CHANGE MOUNTING HOLES
1.2	1.2	1796	09-01-05	CORRECT SILKSCREEN / ADD NOTES TO ASSEMBLY DRAWING
1.2.1	1.2	1812	09-15-05	BOM CHANGE ONLY / CHANGE R60,R61 to 15.4K
1.2.2	1.2	2072	08-25-06	BOM CHANGE ONLY / KI now TYCO and SEALED
1.2.3	1.2	2091	09-19-06	BOM CHANGE ONLY / REMOVE MERCURY SWITCH

DL2 BOX BOARD


ASM: 80010186 REV 1.2.3

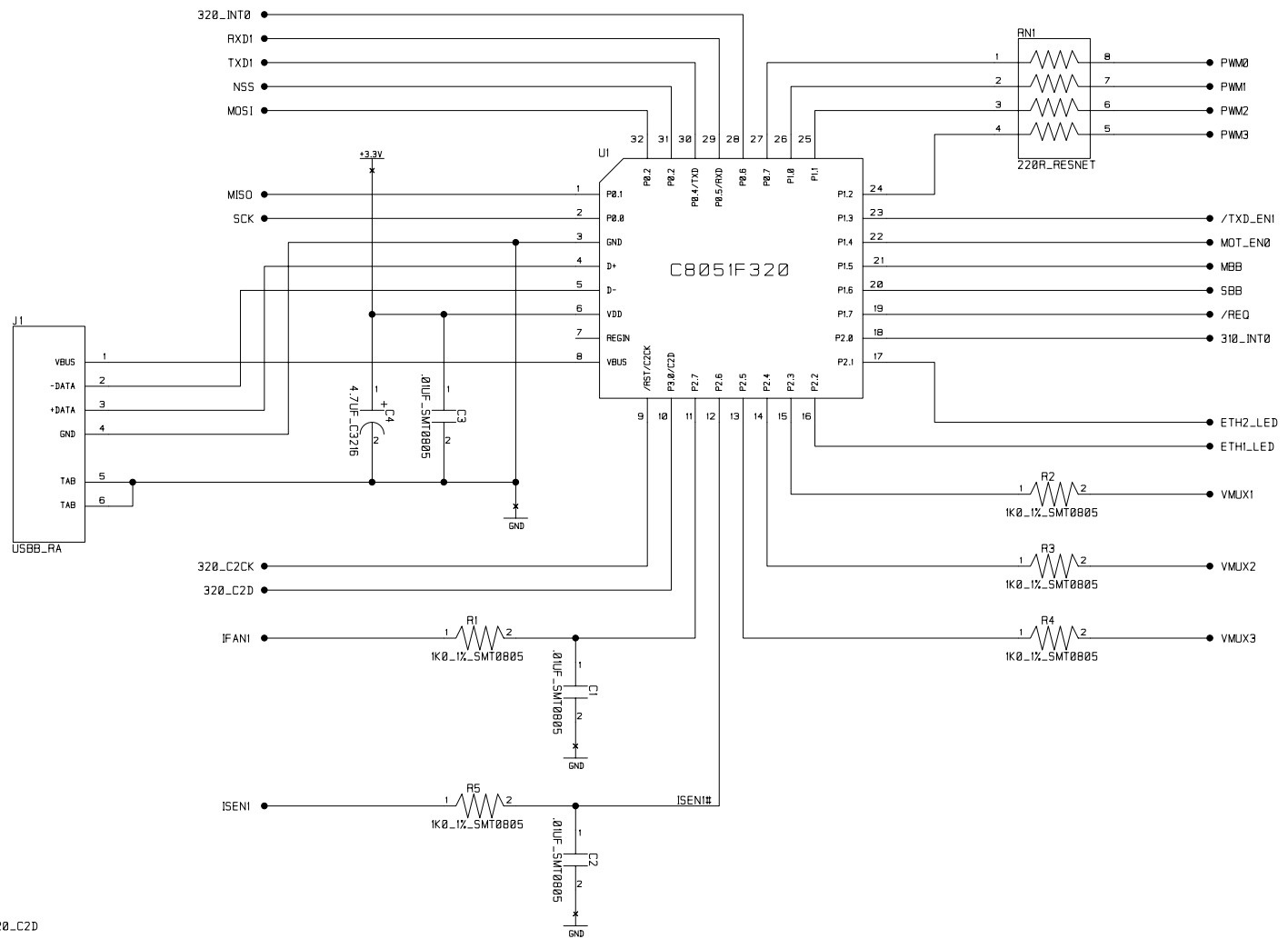
PCB: 99030160 REV 1.2

- 1) TITLE
- 2) C8051F320
- 3) C8051F310
- 4) KEYPAD
- 5) VOLTAGE REGULATORS
- 6) DMX / MODULE LINK 2
- 7) LEDs / VIDEO ROUTING
- 8) SENSORS
- 9) MOTOR DRIVERS
- 10) 3 PHASE PROTECTION
- 11) HIGH RES ENCODER CPU
- 12) FAN DRIVERS
- 13) MECHANICAL PARTS

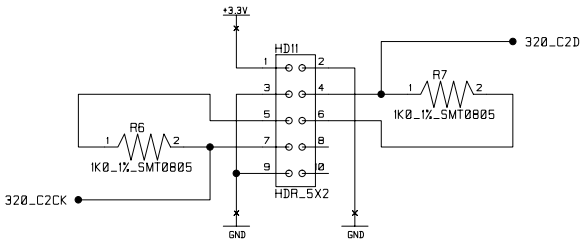
Copyright (c) 1994-2005 High End Systems, Inc. All rights reserved worldwide.


DL2, Lightwave Research, the Lightwave Research logo, High End Systems and the High End Systems logo are registered trademarks of High End Systems, Inc. Trademarks and trade names of others may be used in this document to refer to either such other entities or to their products. High End Systems, Inc. disclaims any proprietary interest or connection to such marks or entities.

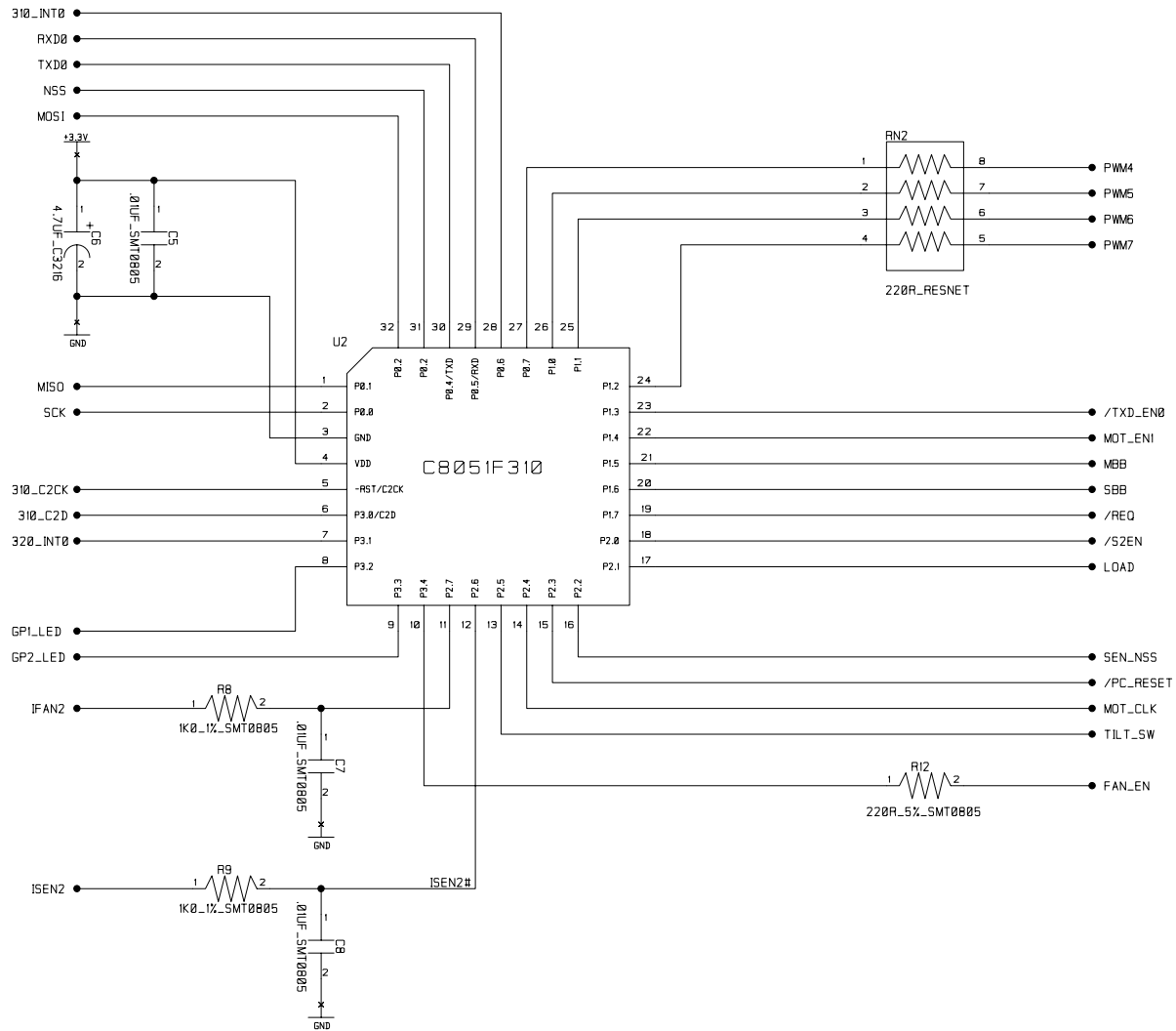
HIGH END SYSTEMS INC.					
2105 GRACY FARMS LANE AUSTIN, TX 78758					
DESIGN	B. Jurek	SIZE	FSCM NO.	DWG. NO.	REV.
DRAWN	K. Lowe	B		80010186	1.2.3
ISSUED	09-19-06	SCALE			SHEET 1 of 13



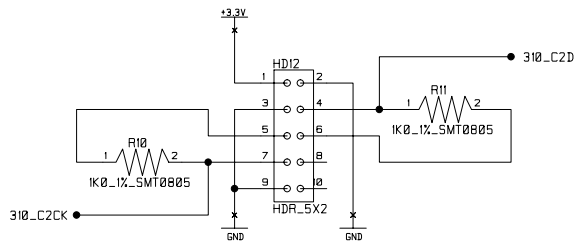
C320 C2 INTERFACE




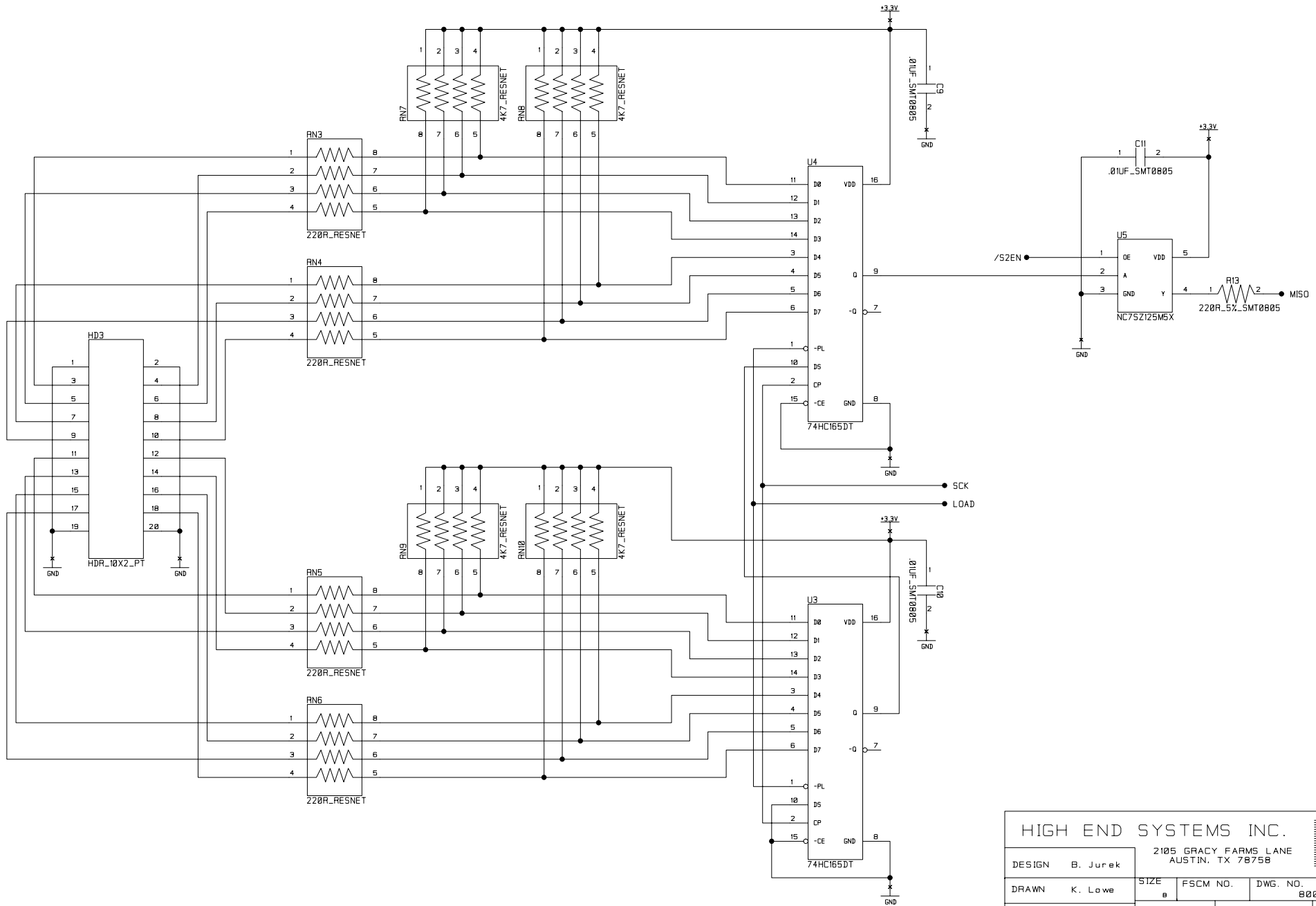
HIGH END SYSTEMS INC.					
2105 GRACY FARMS LANE AUSTIN, TX 78758					
DESIGN	B. Jurek	SIZE	FSCM NO.	DWG. NO.	REV.
DRAWN	K. Lowe	B		80010186	1.2.3
ISSUED	09-19-06	SCALE			SHEET
					2 of 13




310 C2 INTERFACE

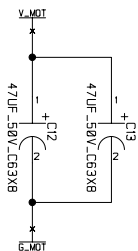


DESIGN		B. Jurek		HIGH END SYSTEMS INC. 2105 GRACY FARMS LANE AUSTIN, TX 78758		
		SIZE	FSCM NO.			
DRAWN		K. Lowe		B	80010186	1.2.3
ISSUED		09-19-06		SCALE		SHEET 3 of 13

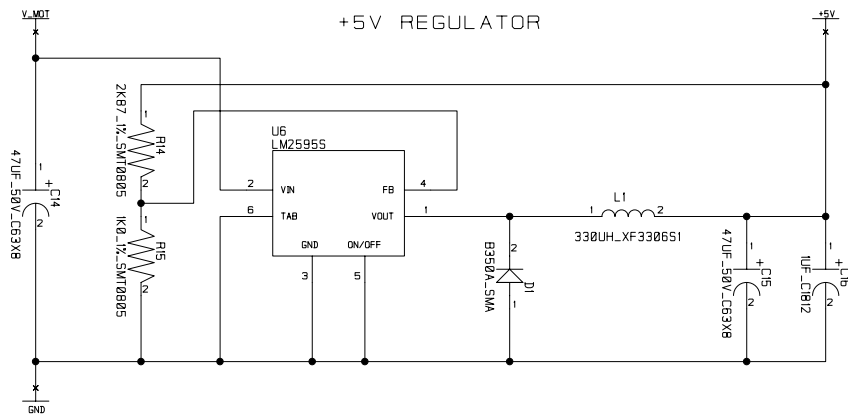


HIGH END SYSTEMS INC.					
2105 GRACY FARMS LANE AUSTIN, TX 78758					
DESIGN	B. Jurek	SIZE	FSCM NO.	DWG. NO.	REV.
DRAWN	K. Lowe	B		80010186	1.2.3
ISSUED	09-19-06	SCALE			SHEET
					4 of 13

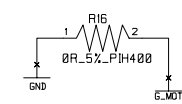
BULK DECOUPLING



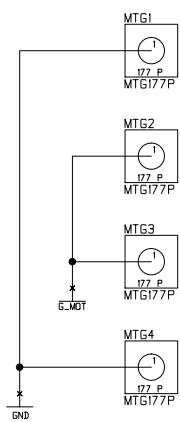
+5V REGULATOR



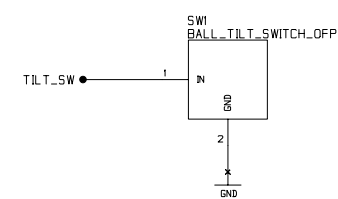
GND JUMPER



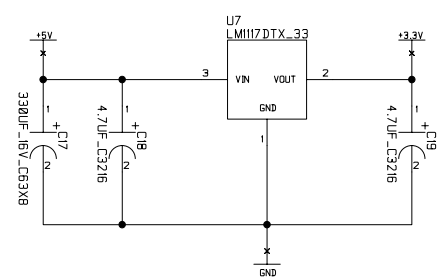
MOUNTING HOLES



TILT SWITCH

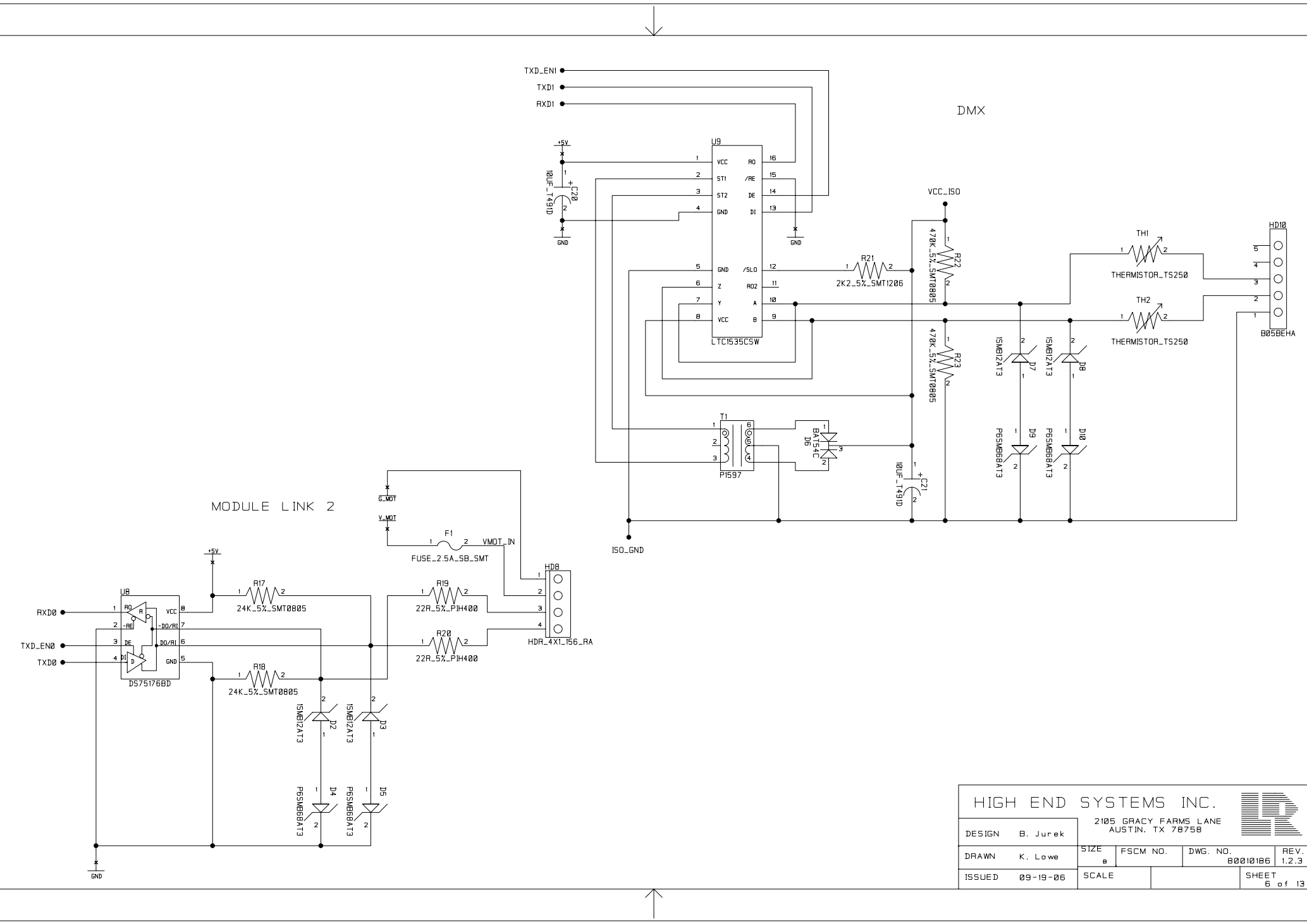


+3.3V REGULATOR

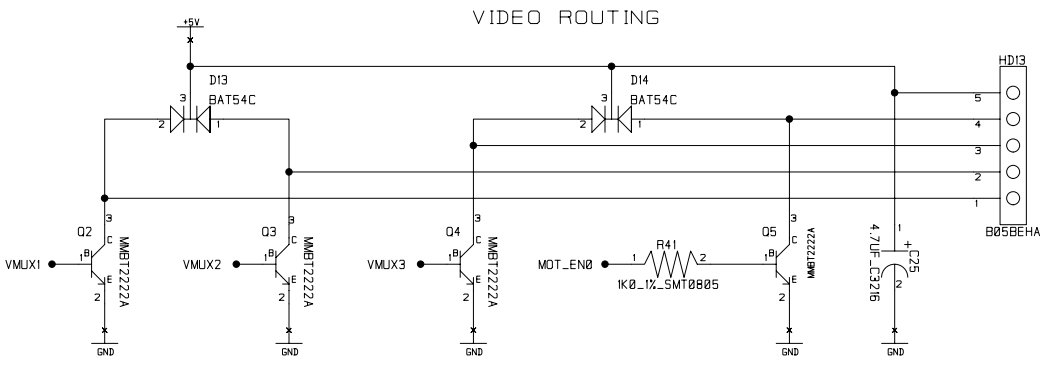
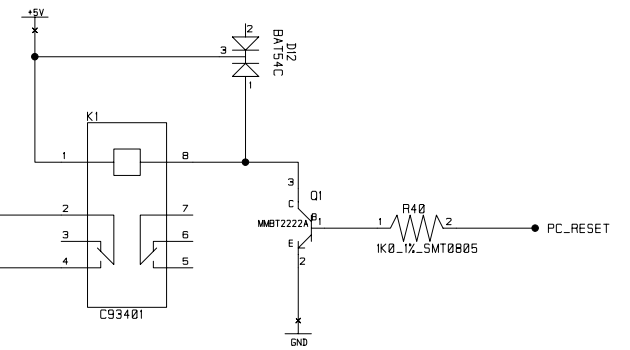
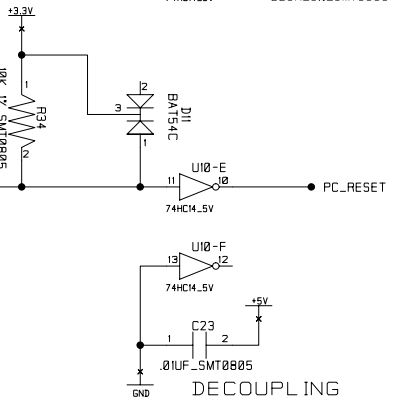
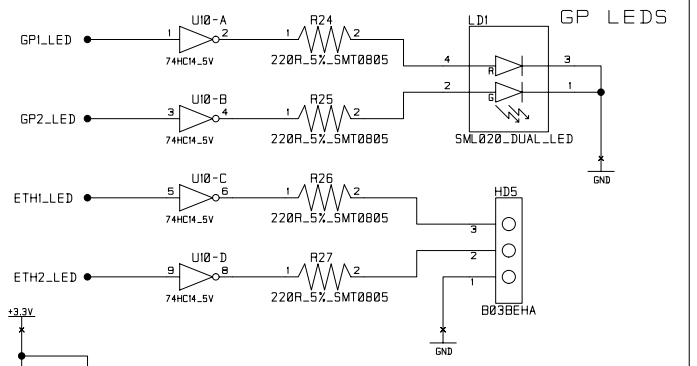
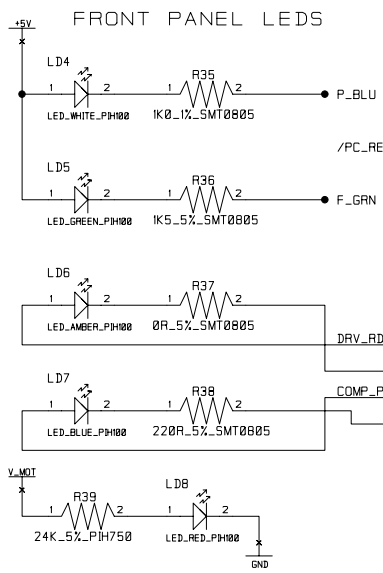
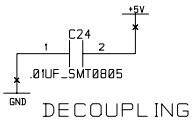
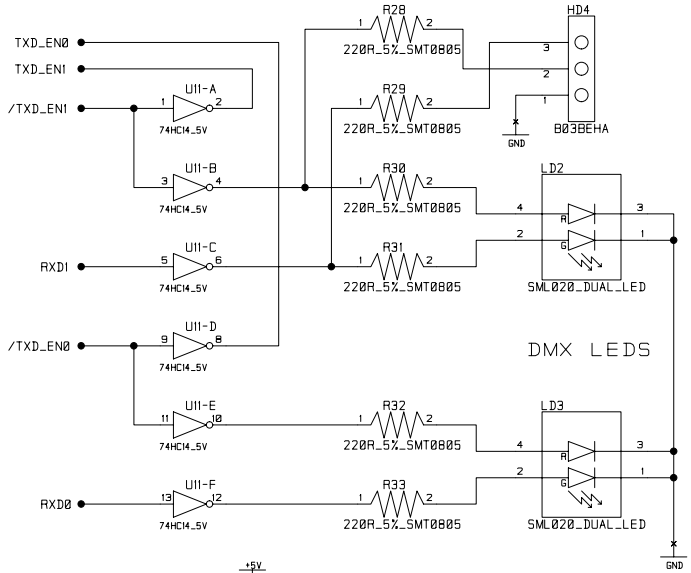


HIGH END SYSTEMS INC.
 2105 GRACY FARMS LANE
 AUSTIN, TX 78758

DESIGN	B. Jurek	SIZE	FSCM NO.	DWG. NO.	REV.
DRAWN	K. Lowe	B		80010186	1.2.3
ISSUED	09-19-06	SCALE			SHEET 5 of 13

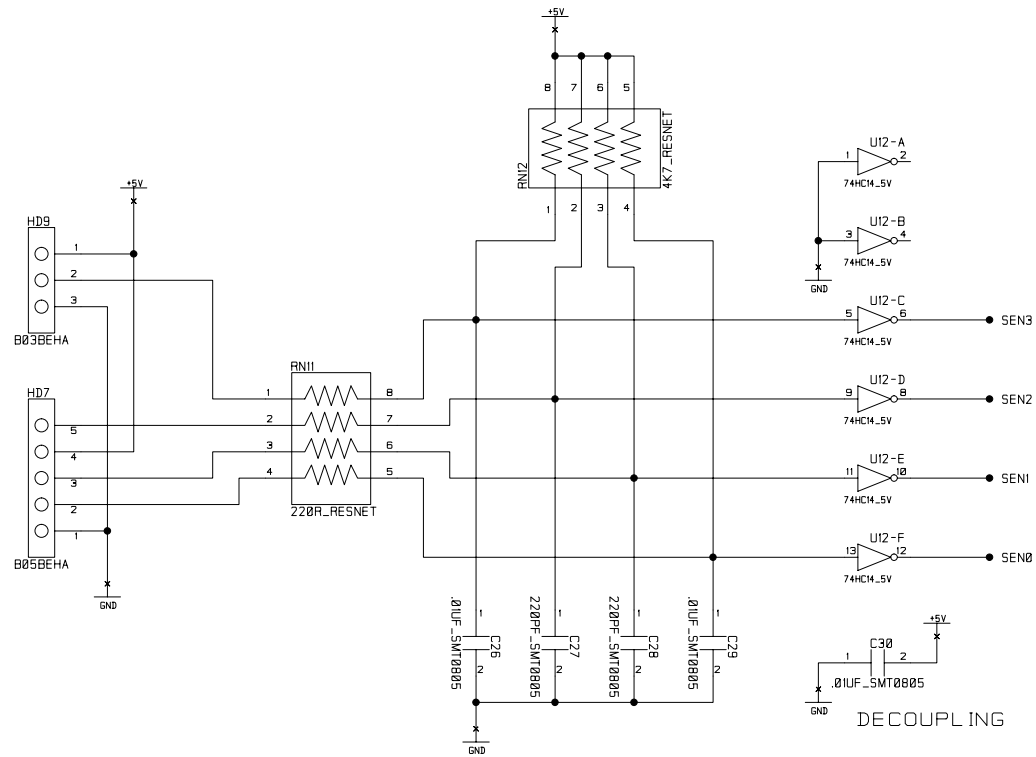


HIGH END SYSTEMS INC.					
2105 GRACY FARMS LANE AUSTIN, TX 78758					
DESIGN	B. Jurek	SIZE	FSCM NO.	DWG. NO.	REV.
DRAWN	K. Lowe	B		80010186	1.2.3
ISSUED	09-19-06	SCALE			SHEET
					6 of 13



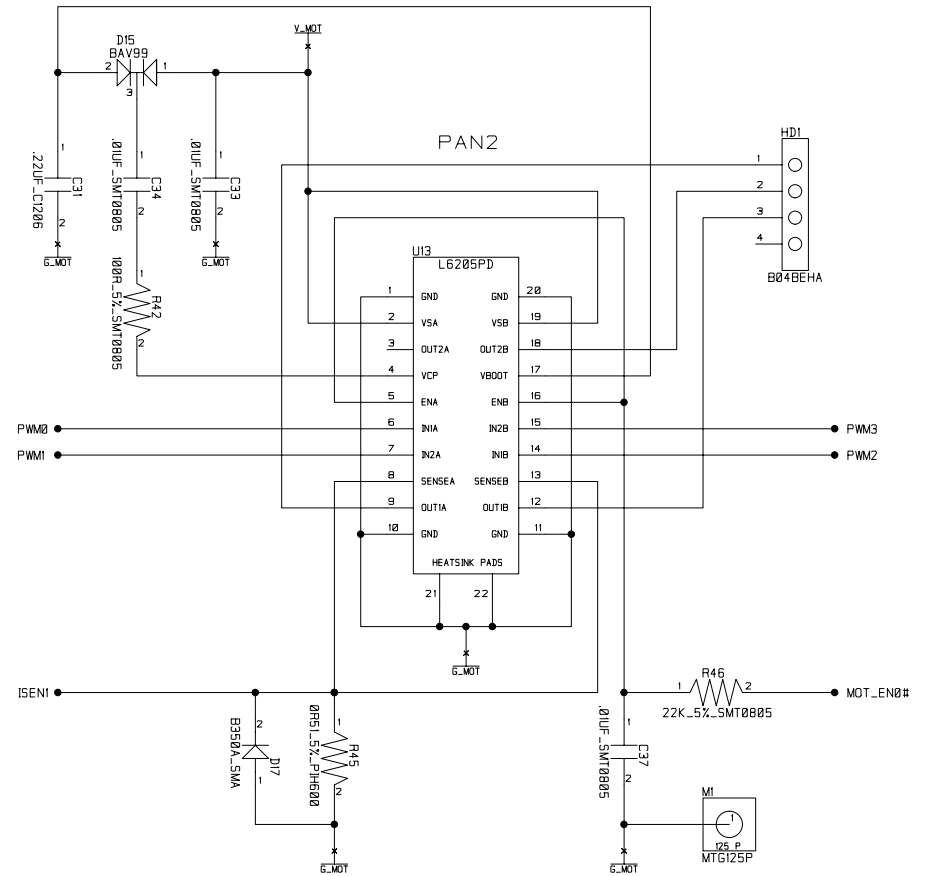
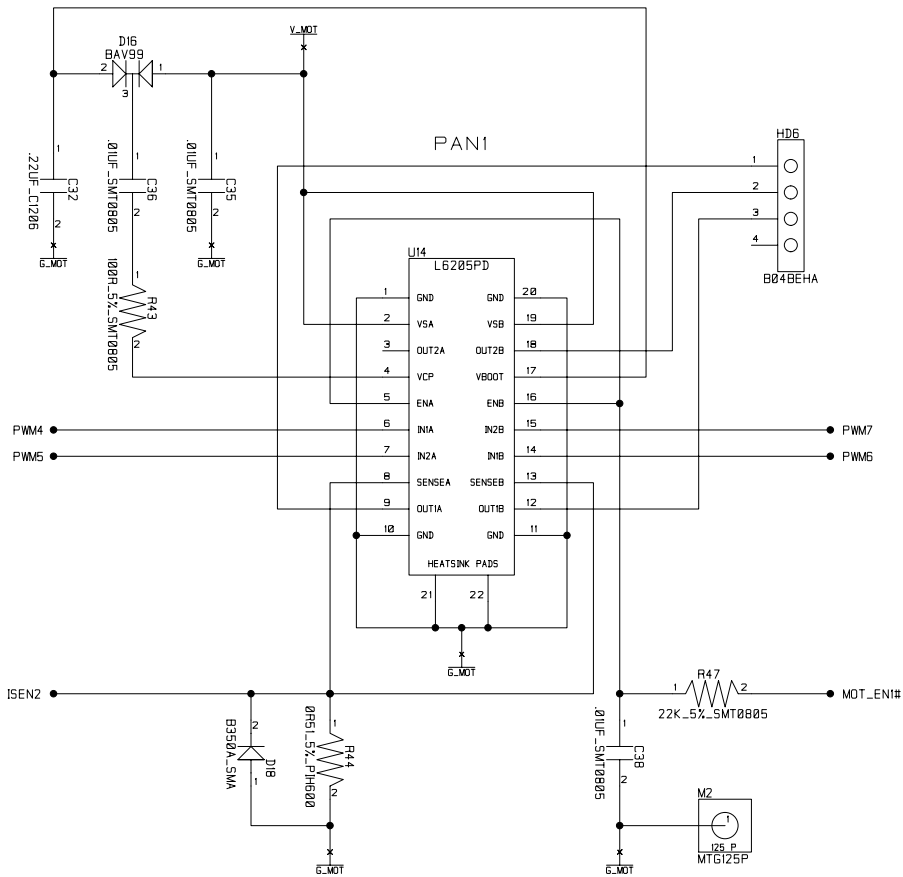
HIGH END SYSTEMS INC.				
DESIGN	B. Jurek	2105 GRACY FARMS LANE AUSTIN, TX 78758		
DRAWN	K. Lowe	SIZE	FSCM NO.	DWG. NO.
ISSUED	09-19-06	SCALE		80010186
				REV.
				1.2.3
				SHEET
				7 of 13

SENSORS



HIGH END SYSTEMS INC.		2105 GRACY FARMS LANE AUSTIN, TX 78758			
DESIGN	B. Jurek	SIZE	FSCM NO.	DWG. NO.	REV.
DRAWN	K. Lowe	B		80010186	1.2.3
ISSUED	09-19-06	SCALE			SHEET 8 of 13

MOTOR DRIVERS

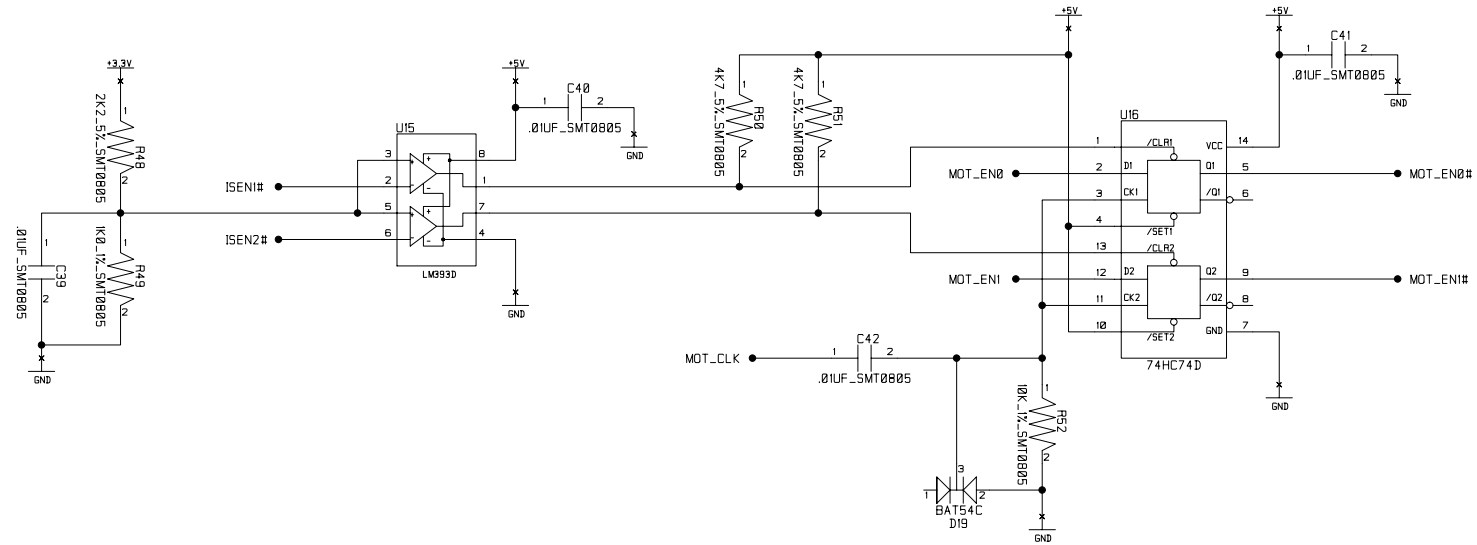


HIGH END SYSTEMS INC.

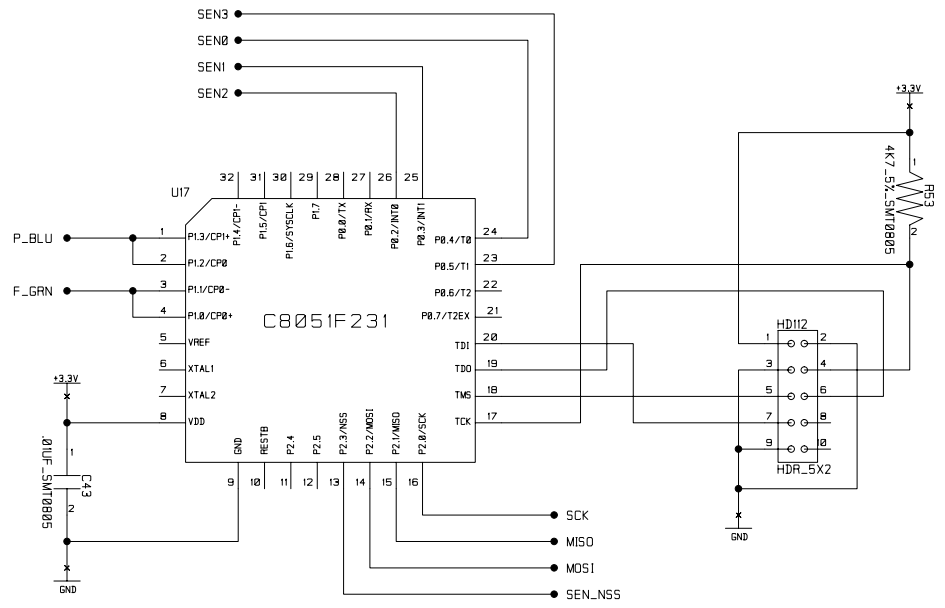
2105 GRACY FARMS LANE
AUSTIN, TX 78758

DESIGN	B. Jurek	SIZE	FSCM NO.	DWG. NO.	REV.
DRAWN	K. Lowe	B		80010186	1.2.3
ISSUED	09-19-06	SCALE			SHEET 9 of 13

3 PHASE PROTECTION

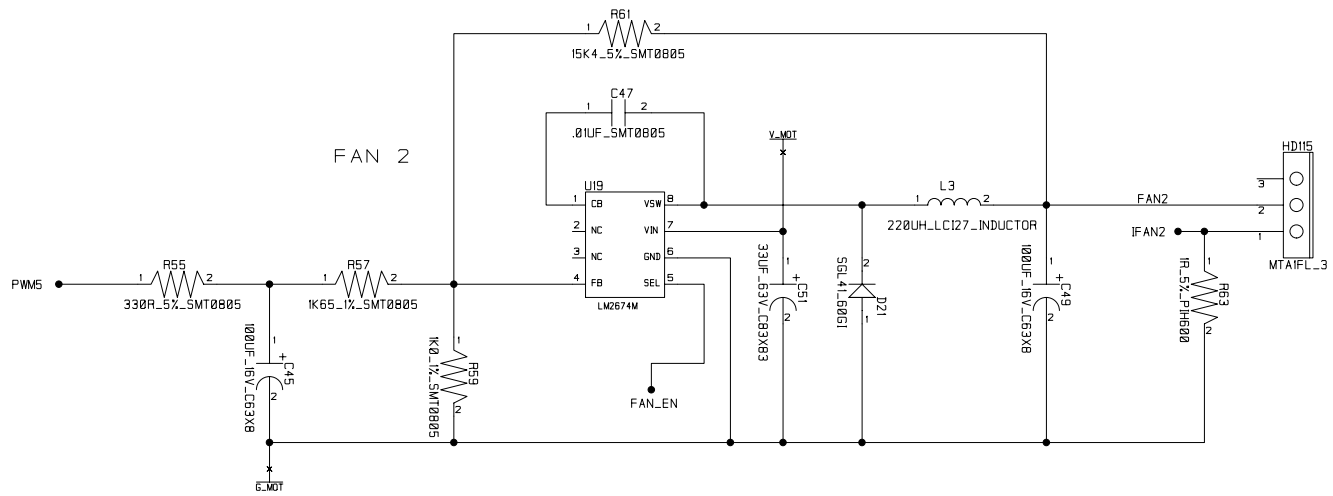
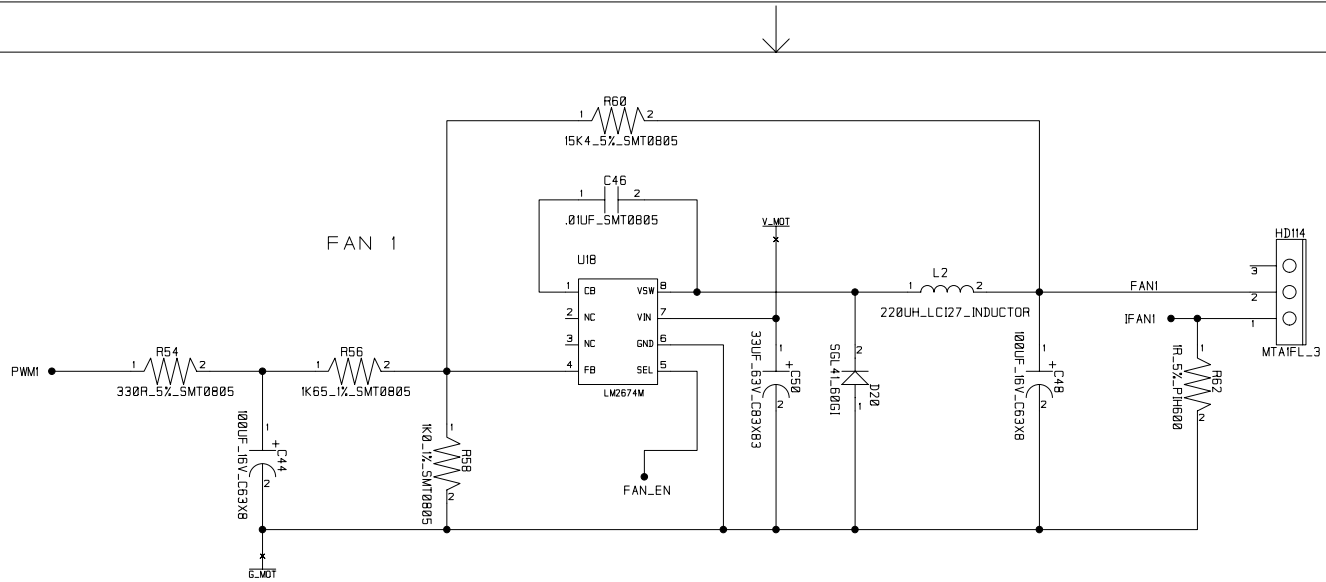


HIGH END SYSTEMS INC.		2105 GRACY FARMS LANE AUSTIN, TX 78758			
DESIGN	B. Jurek	SIZE	FSCM NO.	DWG. NO.	REV.
DRAWN	K. Lowe	B		80010186	1.2.3
ISSUED	09-19-06	SCALE			SHEET 10 of 13



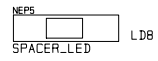
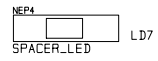
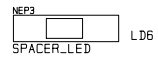
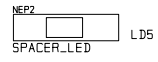
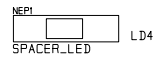
HIGH END SYSTEMS INC.				
2105 GRACY FARMS LANE AUSTIN, TX 78758				
DESIGN	B. Jurek	SIZE	FSCM NO.	DWG. NO.
DRAWN	K. Lowe	B		80010186
ISSUED	09-19-06	SCALE		REV. 1.2.3
				SHEET 11 of 13





HIGH END SYSTEMS INC.		2105 GRACY FARMS LANE AUSTIN, TX 78758			
DESIGN	B. Jurek	SIZE	FSCM NO.		DWG. NO.
DRAWN	K. Lowe	SCALE		80010186	REV. 1.2.3
ISSUED	09-19-06				SHEET 12 of 13

LED SPACERS



HIGH END SYSTEMS INC.

2105 GRACY FARMS LANE
AUSTIN, TX 78758



DESIGN	B. Jurek	2105 GRACY FARMS LANE AUSTIN, TX 78758			
DRAWN	K. Lowe	SIZE B	FSCM NO.	DWG. NO. 80010186	REV. 1.2.3
ISSUED	09-19-06	SCALE			SHEET 13 of 13

REVISION HISTORY

SCH REV	PCB REV	ECO#	DATE	COMMENT
1.0	1.0		02-17-05	INITIAL RELEASE
1.1	1.1	1724	06-03-05	BOM / MOUNTING HOLE CHANGES - NOT PRODUCED, ROLLED INTO EC#1727
1.2	1.2	1727	06-03-05	BOM CHANGES - RELEASED FOR PRODUCTION
1.2.1	1.2	1758	07-25-05	BOM CHANGE - R13 CHANGED TO 1K OHM
1.2.2	1.2	1795	08-26-05	BOM CHANGE - L1 CHANGED TO 1A PART / ASSEMBLY DRAWING CHANGE
1.2.3	1.2	2088	09-18-06	BOM CHANGE - ADD TUBING TO VERT RESISTORS / ASM DRAWING CHANGE

DL2 HEAD BOARD


ASM: 80010174 REV: 1.2.3

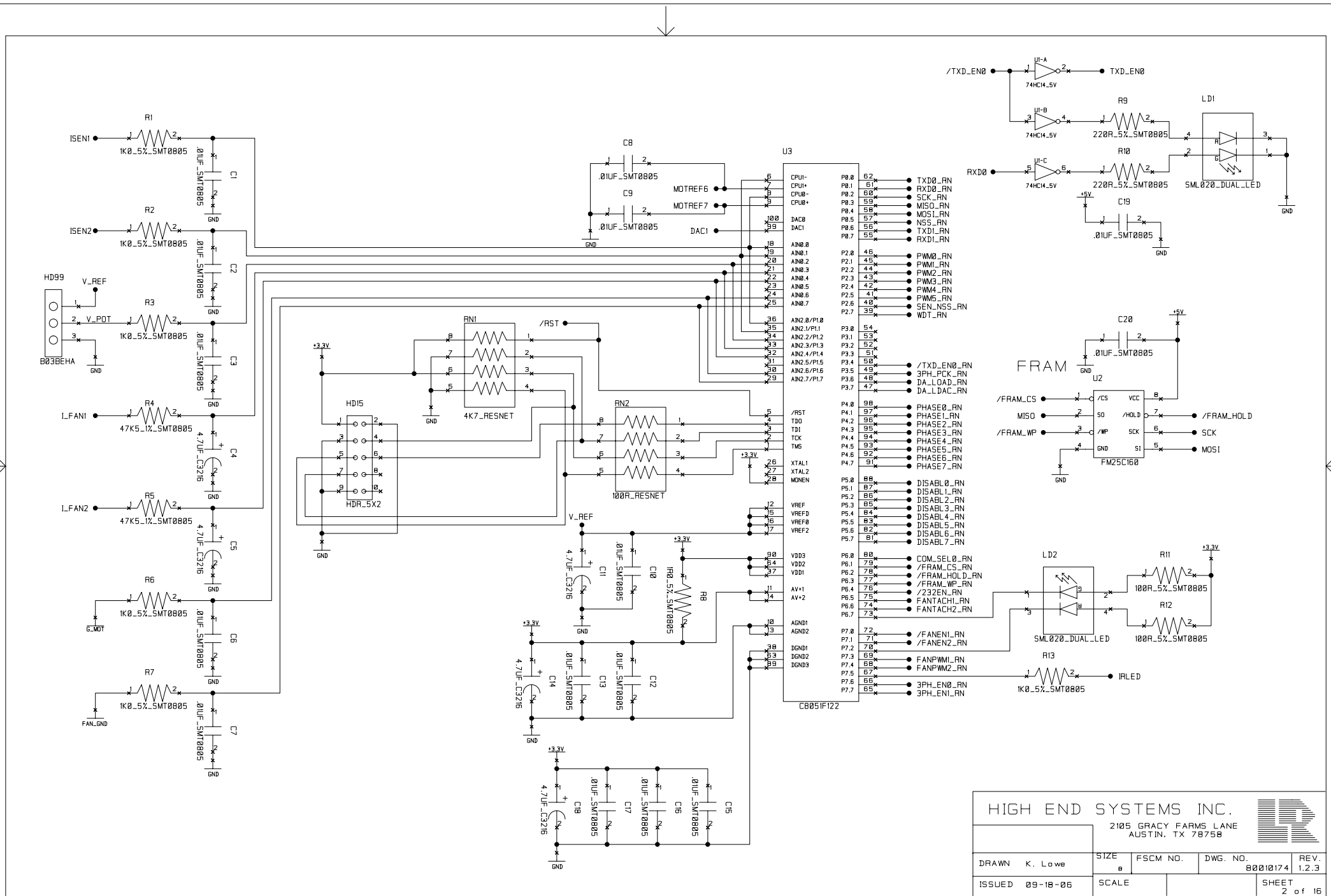
PCB: 90030157 REV: 1.2

- 1) TITLE
- 2) CPU / FRAM
- 3) VOLTAGE REGULATORS
- 4) DIGITAL to ANALOG
- 5) FAN DRIVERS
- 6) COM
- 7) SENSORS
- 8) MOTOR DRIVER
- 9) MOTOR DRIVER
- 10) MOTOR DRIVER
- 11) MOTOR DRIVER
- 12) 3 PHASE MOTOR DRIVERS
- 13) 3 PHASE PROTECTION
- 14) ENCODER CPU
- 15) CPU RPACS
- 16) MECHANICAL PARTS

Copyright (c) 1994-2005 High End Systems, Inc. All rights reserved worldwide.


Name, Lightwave Research, the Lightwave Research logo, High End Systems and the High End Systems logo are registered trademarks of High End Systems, Inc. Trademarks and trade names of others may be used in this document to refer to either such other entities or to their products. High End Systems, Inc. disclaims any proprietary interest or connection to such marks or entities.

HIGH END SYSTEMS INC.		2105 GRACY FARMS LANE AUSTIN, TX 78758			
DRAWN	K. Lowe	SIZE B	FSCM NO.	DWG. NO. 80010174	REV. 1.2.3
ISSUED	09-18-06	SCALE		SHEET 1 of 16	

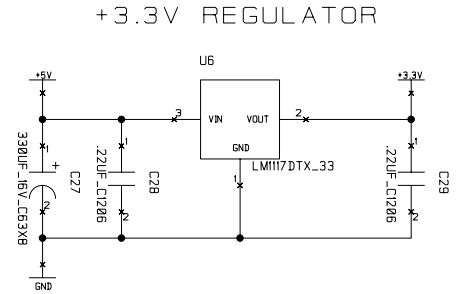
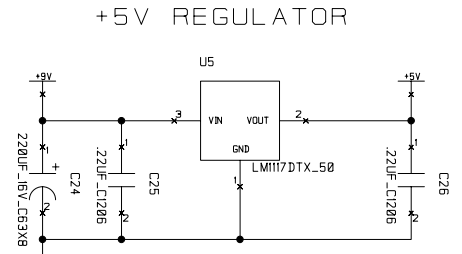
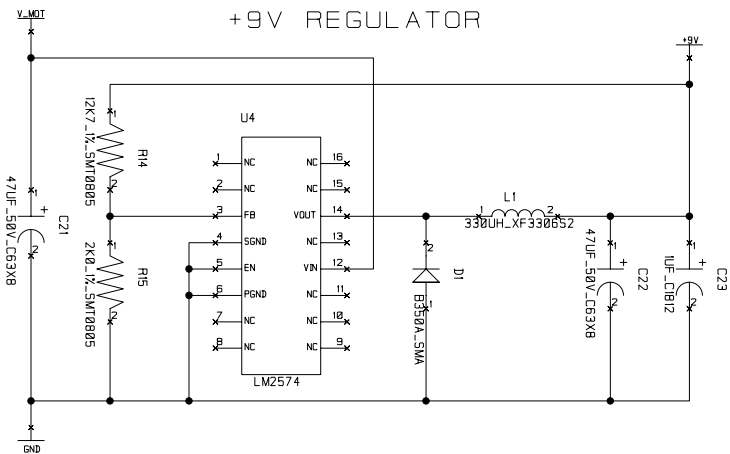


HIGH END SYSTEMS INC.

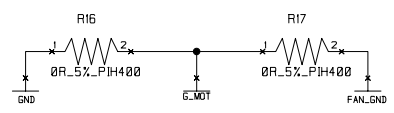
2105 GRACY FARMS LANE
AUSTIN, TX 78758



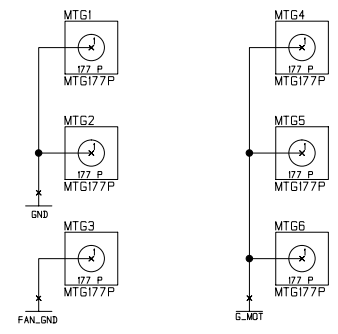
DRAWN	K. Lowe	SIZE	FSCM NO.	DWG. NO.	REV.
ISSUED	09-18-06	B		80010174	1.2.3
SCALE			SHEET		
			2 of 16		



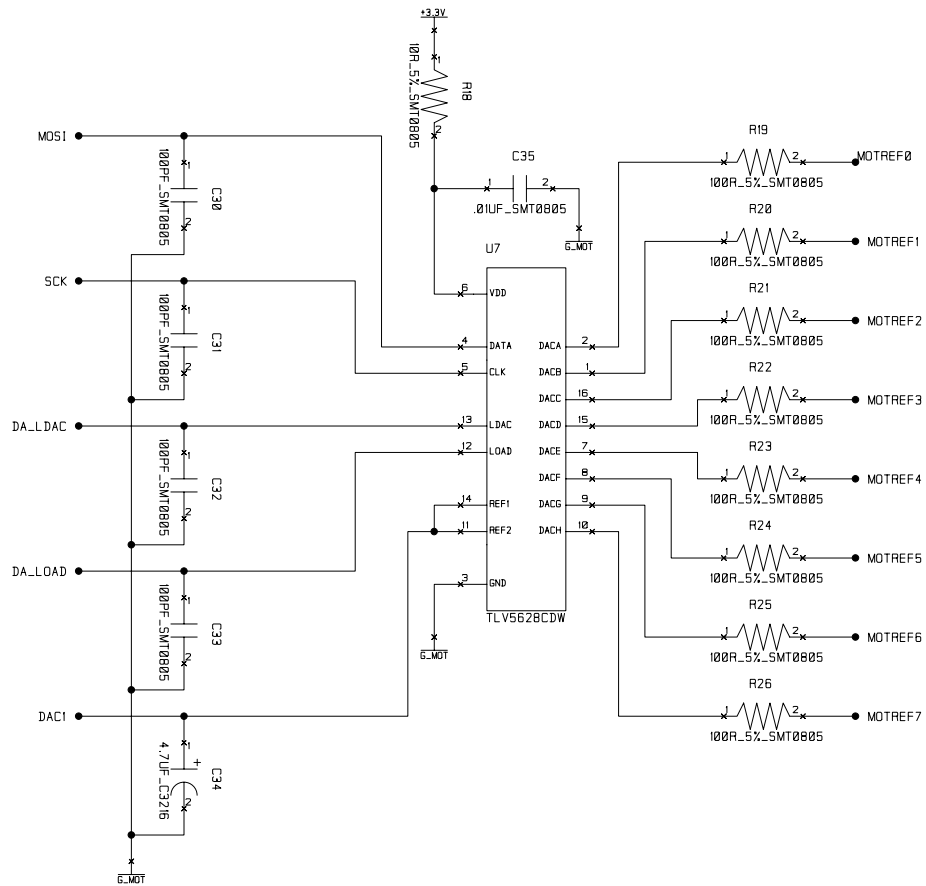
GND JUMPER OPTIONS




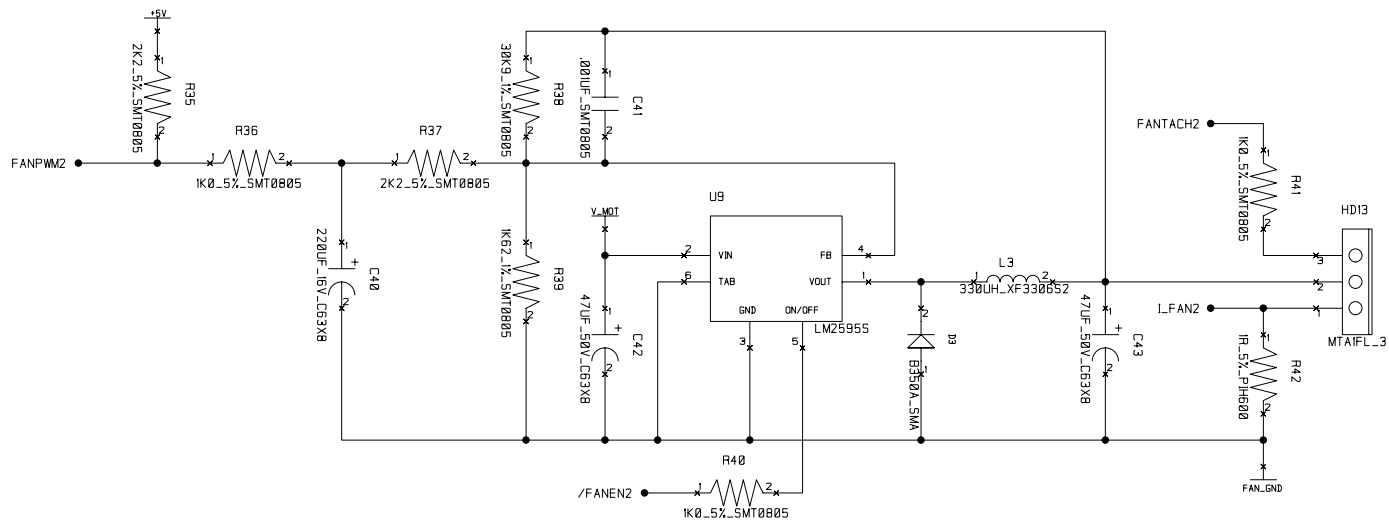
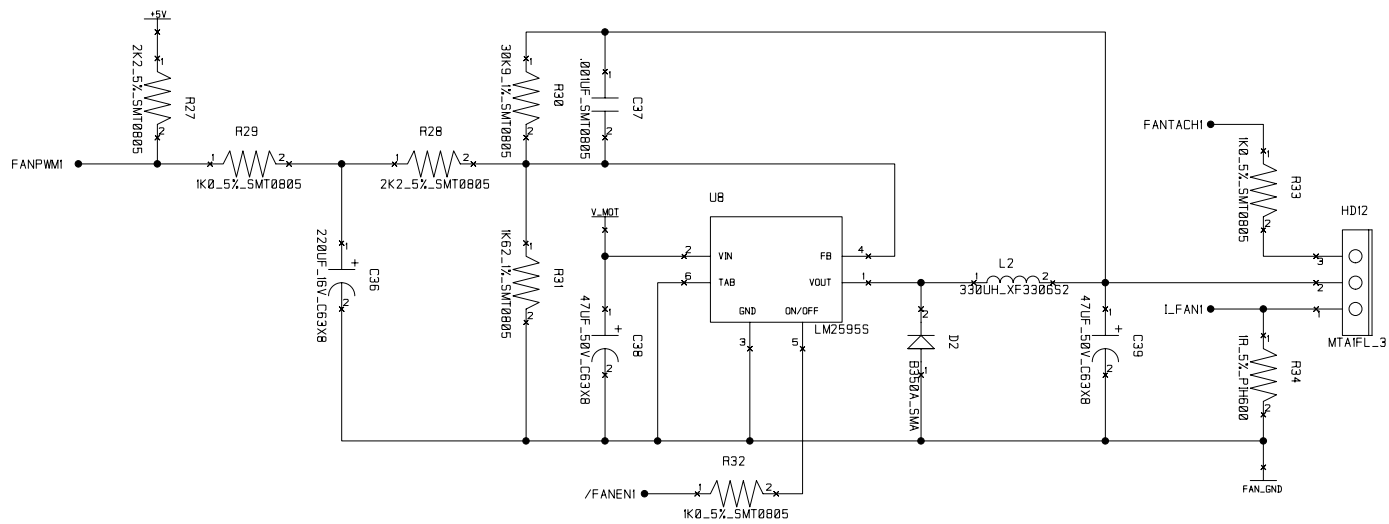
MOUNTING HOLES



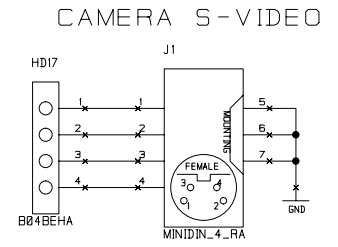
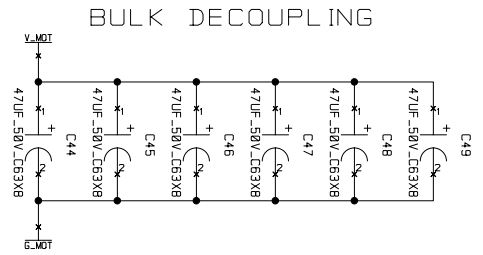
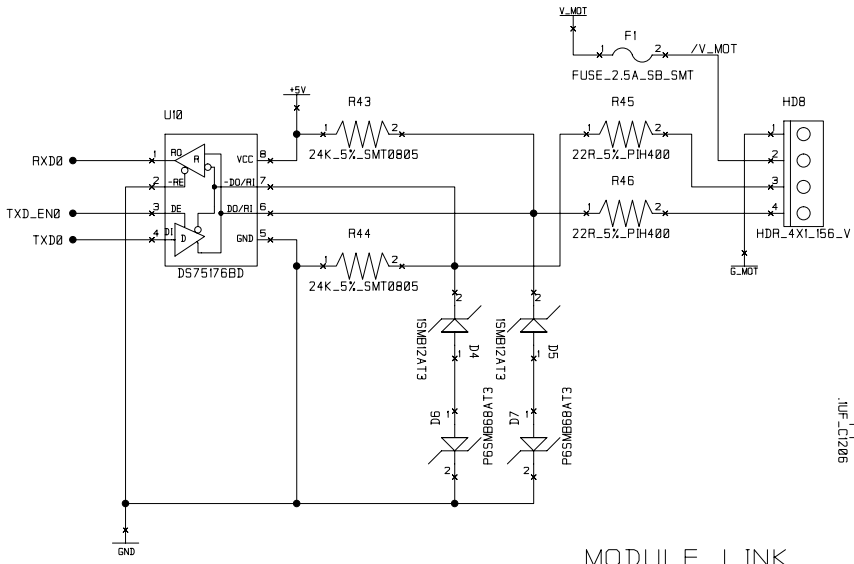
HIGH END SYSTEMS INC.		2105 GRACY FARMS LANE AUSTIN, TX 78758			
DRAWN	K. Lowe	SIZE	FSCM NO.	DWG. NO.	REV.
ISSUED	09-18-06	B		80010174	1.2.3
		SCALE			SHEET 3 of 16



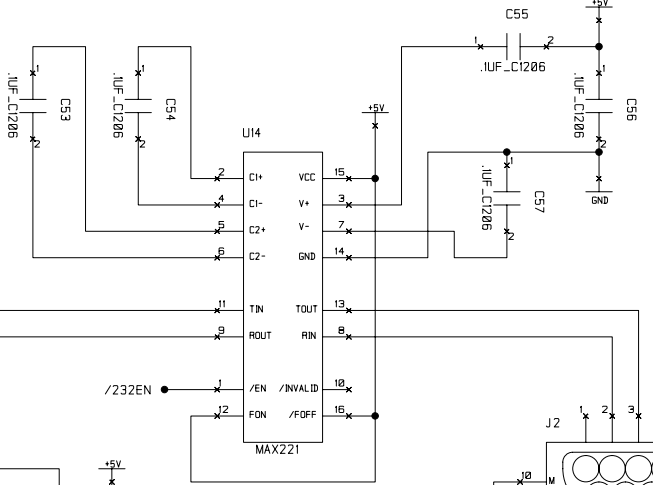
HIGH END SYSTEMS INC.		2105 GRACY FARMS LANE AUSTIN, TX 78758			
		SIZE B	FSCM NO.	DWG. NO. 80010174	
DRAWN K. Lowe	ISSUED 09-18-06	SCALE			SHEET 4 of 16



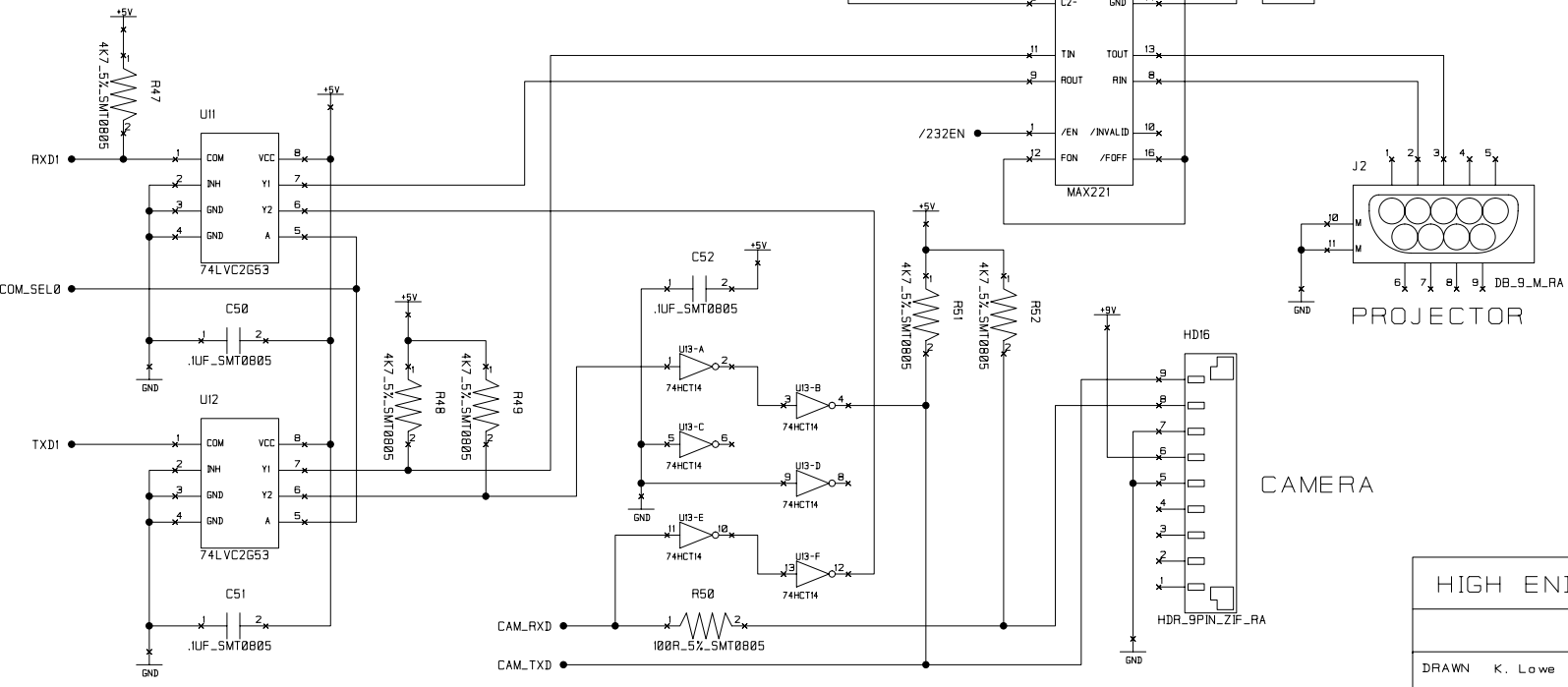
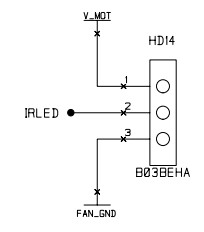
HIGH END SYSTEMS INC.				
2105 GRACY FARMS LANE AUSTIN, TX 78758				
DRAWN	K. Lowe	SIZE	FSCM NO.	DWG. NO.
ISSUED	09-18-06	B		80010174
		SCALE		REV. 1.2.3
			SHEET	5 of 16



MODULE LINK



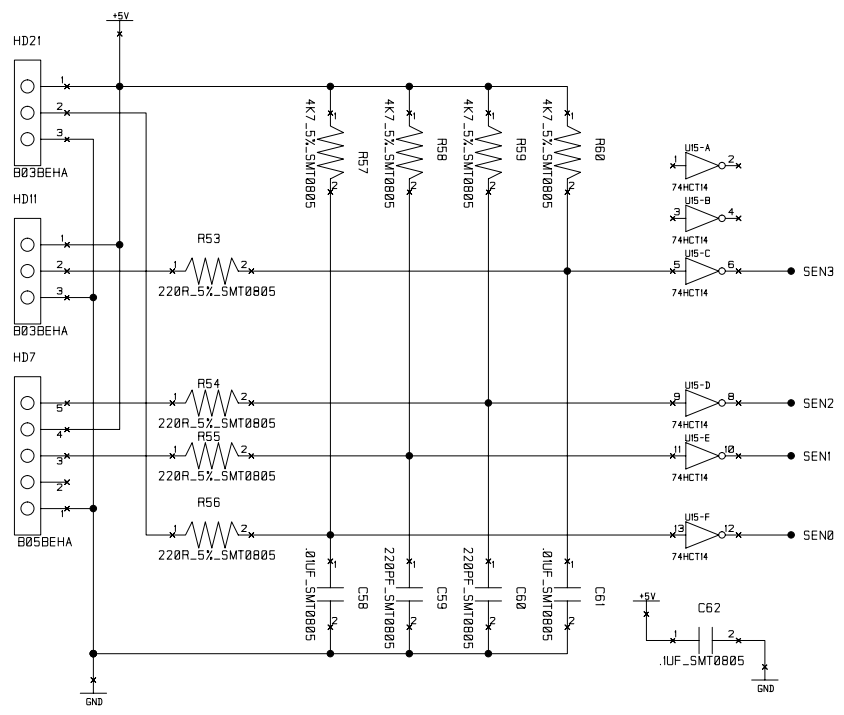
IR ILLUMINATOR




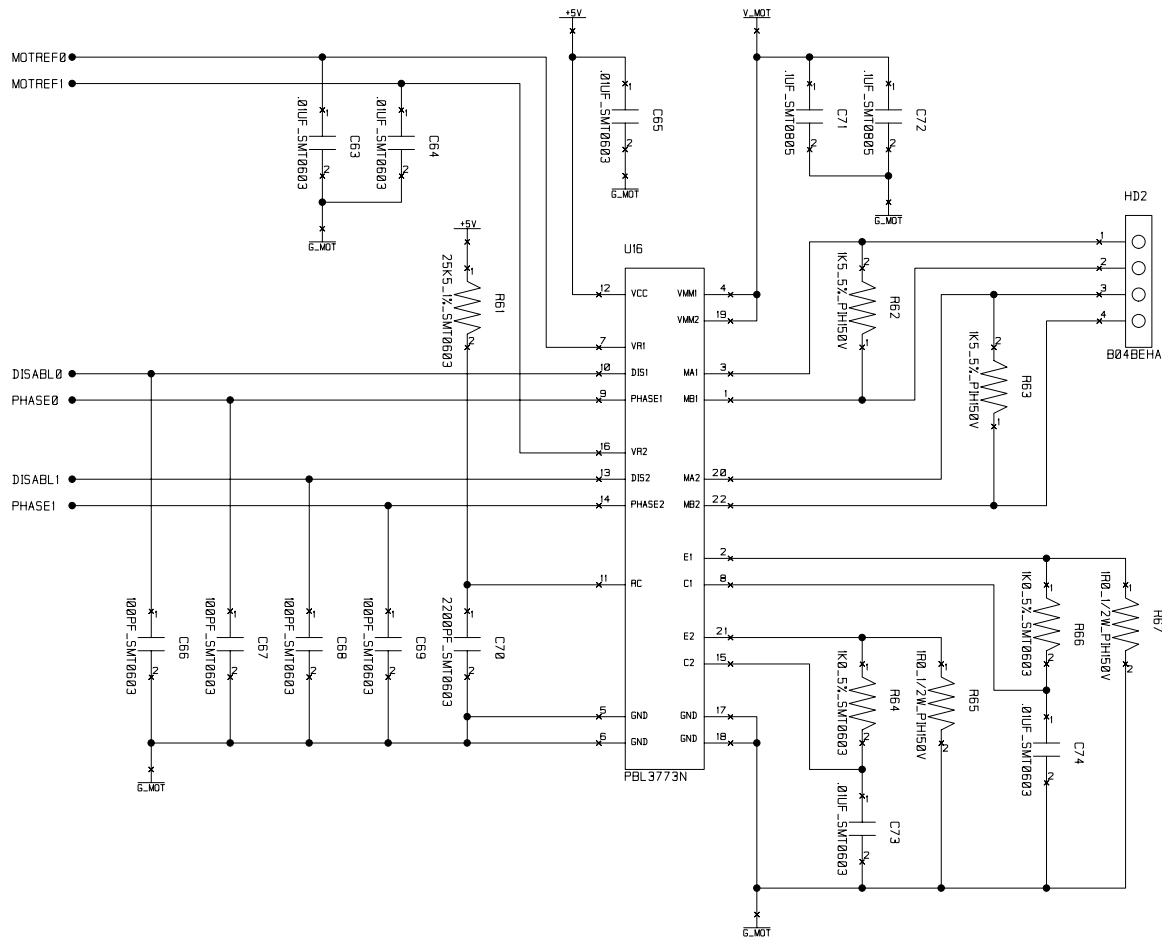
PROJECTOR

CAMERA

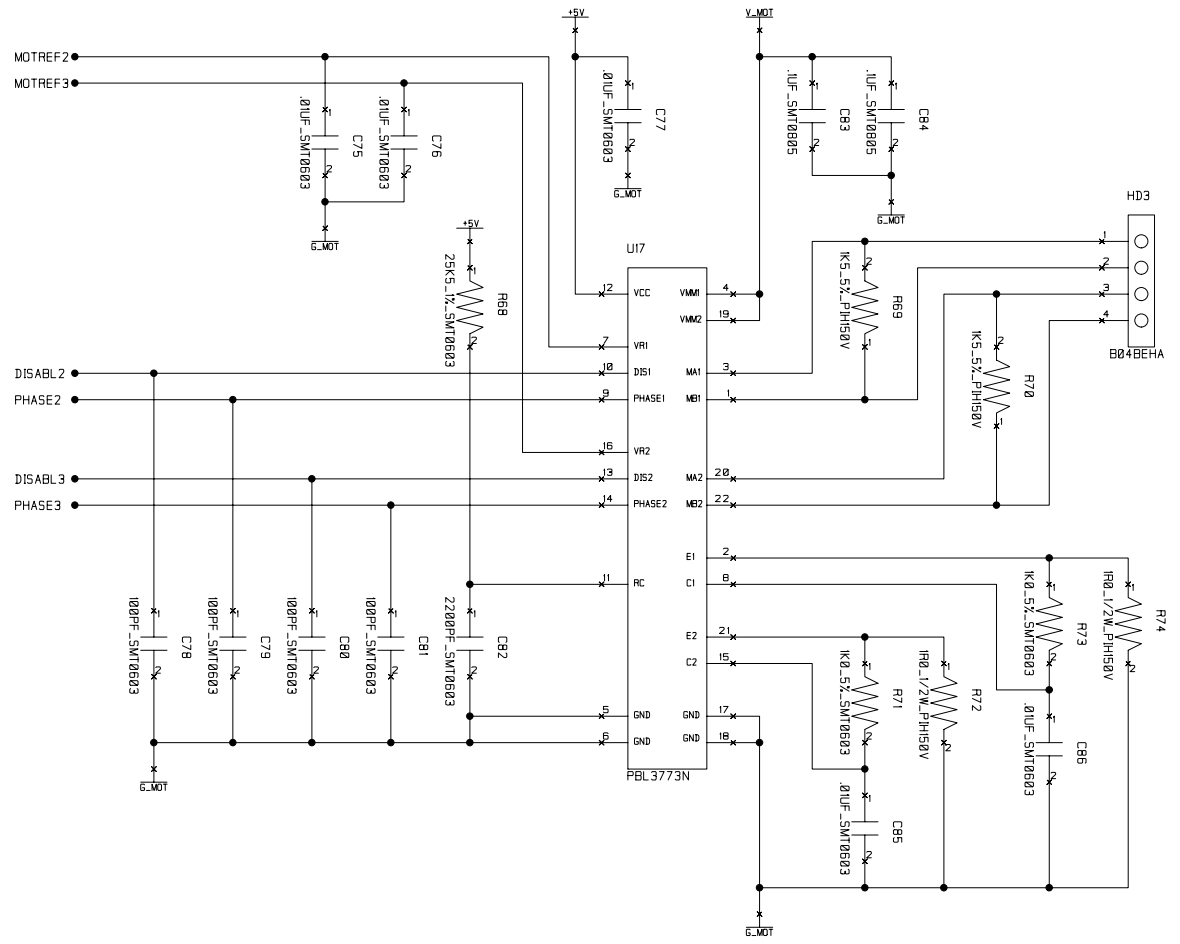
HIGH END SYSTEMS INC.				
2105 GRACY FARMS LANE AUSTIN, TX 78758				
DRAWN K. Lowe		SIZE B	FSCM NO.	DWG. NO. 80010174
ISSUED 09-18-05		SCALE		REV. 1.2.3
				SHEET 6 of 16



HIGH END SYSTEMS INC. 2105 GRACY FARMS LANE AUSTIN, TX 78758				
				DRAWN K. Lowe ISSUED 09-18-05
SHEET 7 of 16			REV. 1.2.3	




HIGH END SYSTEMS INC. 2105 GRACY FARMS LANE AUSTIN, TX 78758			
			DRAWN K. Lowe ISSUED 09-18-06
		SHEET 8 of 16	

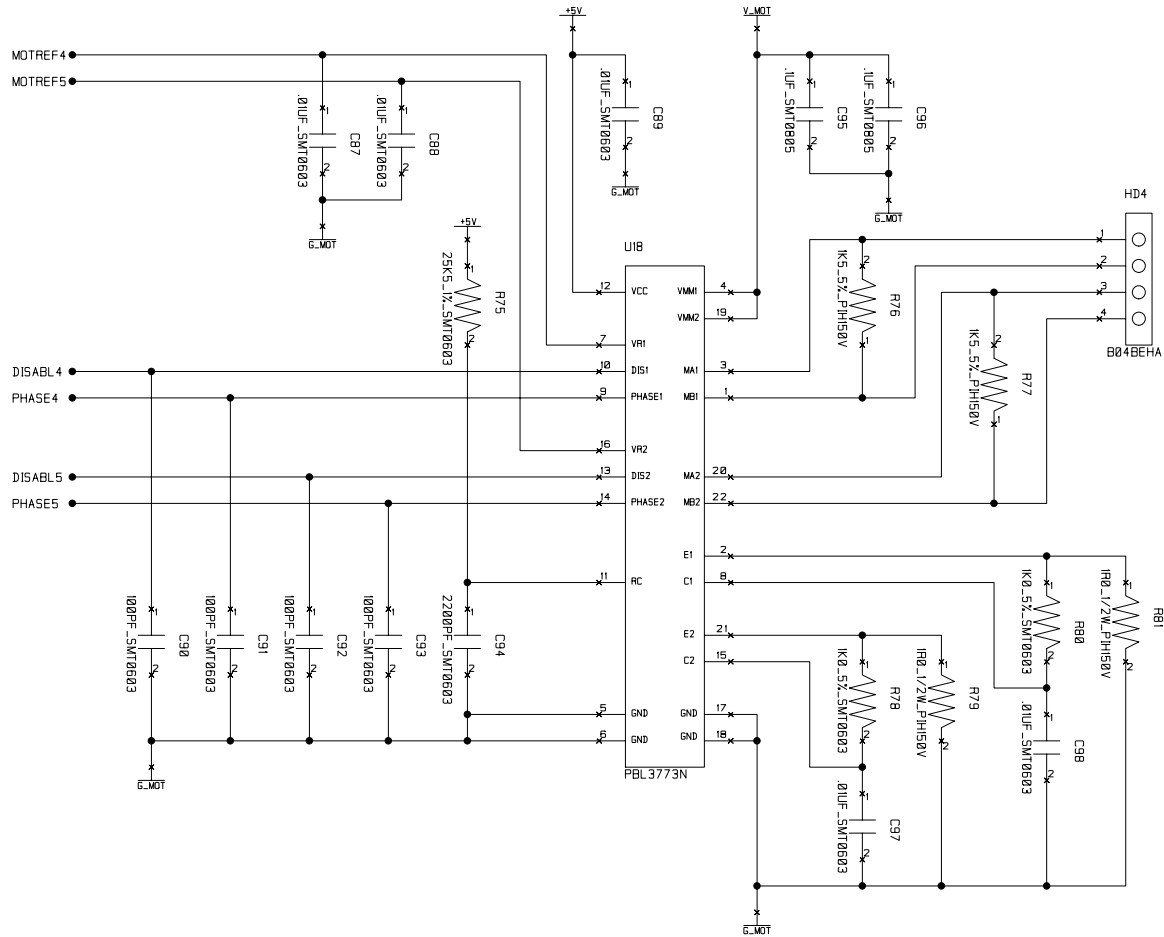


HIGH END SYSTEMS INC.


2105 GRACY FARMS LANE
AUSTIN, TX 78758



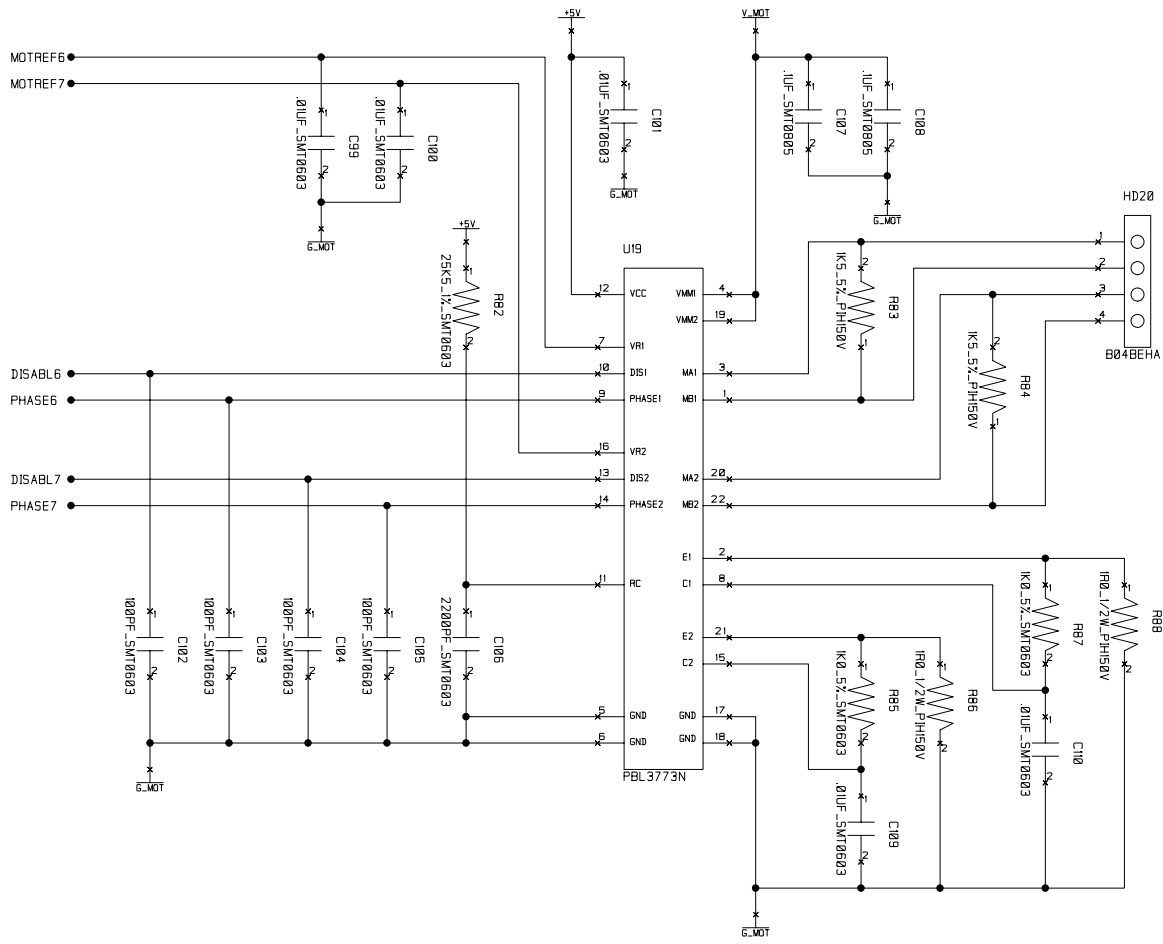
DRAWN	K. Lowe	SIZE	FSCM NO.	DWG. NO.	REV.
ISSUED	09-18-06	B		80010174	1.2.3
SCALE			SHEET		9 of 16



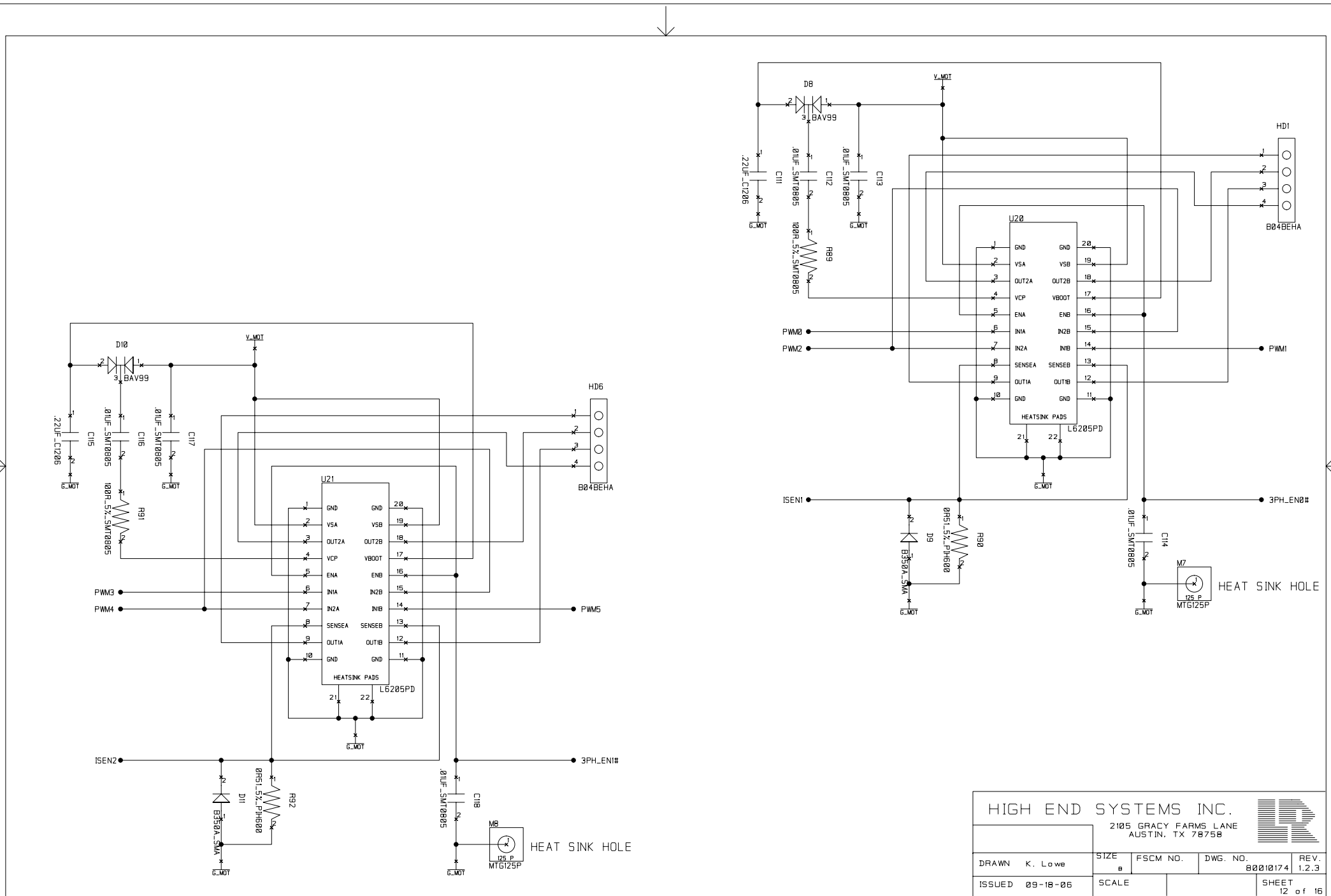
HIGH END SYSTEMS INC.
 2105 GRACY FARMS LANE
 AUSTIN, TX 78758



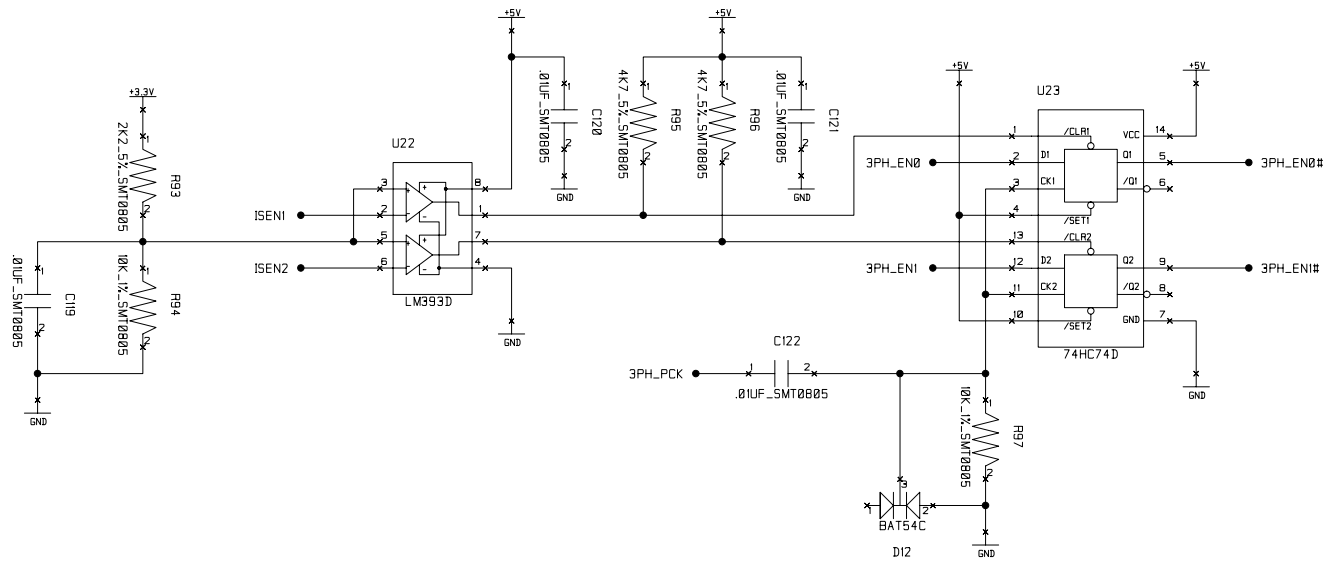
DRAWN	K. Lowe	SIZE	FSCM NO.	DWG. NO.	REV.
ISSUED	09-18-06	B		80010174	1.2.3
SCALE			SHEET		10 of 16



HIGH END SYSTEMS INC.				
2105 GRACY FARMS LANE AUSTIN, TX 78758				
DRAWN	K. Lowe	SIZE	FSCM NO.	DWG. NO.
		B		80010174
ISSUED	09-18-06	SCALE		REV. 1.2.3
				SHEET 11 of 16



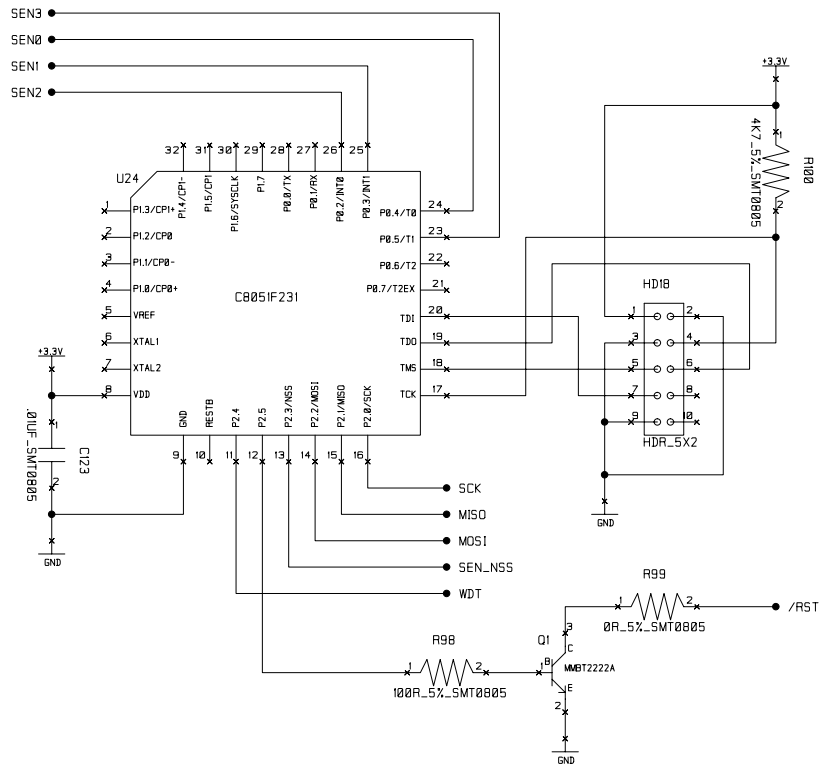
HIGH END SYSTEMS INC.				
2105 GRACY FARMS LANE AUSTIN, TX 78758				
DRAWN	K. Lowe	SIZE	FSCM NO.	DWG. NO.
ISSUED	09-18-05	B		80010174
SCALE				REV. 1.2.3
SHEET 12			of 16	




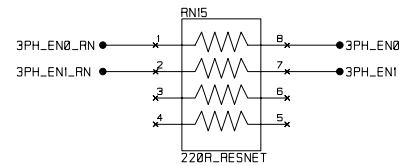
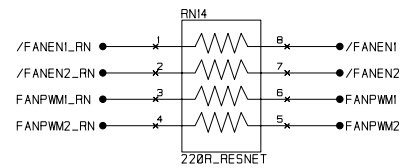
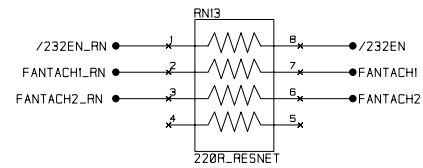
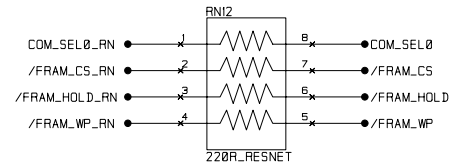
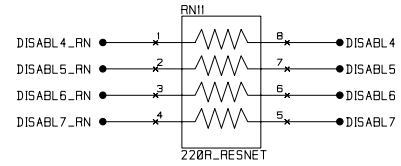
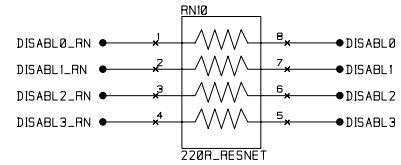
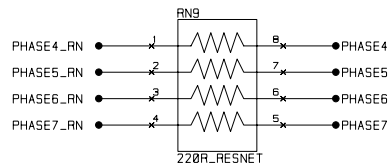
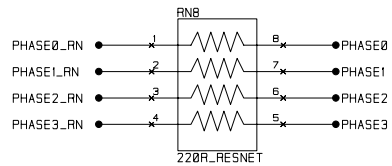
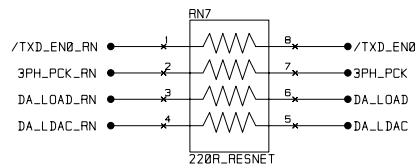
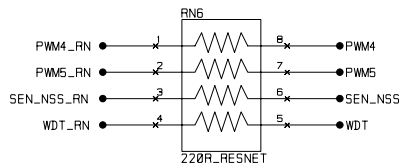
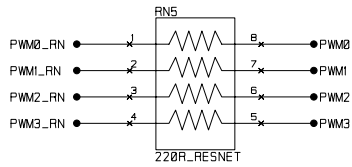
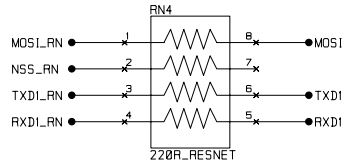
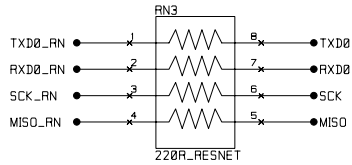
DRAWN K. Lowe		SIZE	FSCM NO.	DWG. NO.	REV.
		B		80010174	1.2.3
ISSUED 09-18-06		SCALE			SHEET 13 of 16


HIGH END SYSTEMS INC.
 2105 GRACY FARMS LANE
 AUSTIN, TX 78758

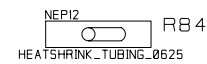
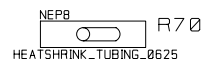
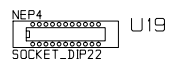
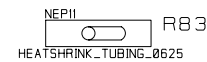
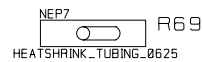
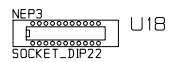
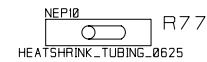
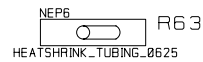
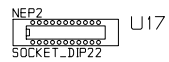
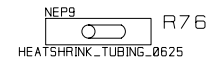
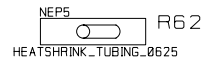
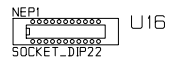





HIGH END SYSTEMS INC.		2105 GRACY FARMS LANE AUSTIN, TX 78758			
					SIZE
DRAWN	K. Lowe	b		80010174	1.2.3
ISSUED	09-18-05	SCALE		SHEET	14 of 16



HIGH END SYSTEMS INC.		2105 GRACY FARMS LANE AUSTIN, TX 78758		
DRAWN K. Lowe	SIZE 8	FSCM NO.	DWG. NO. 80010174	REV. 1.2.3
ISSUED 09-18-06	SCALE		SHEET 15	of 16

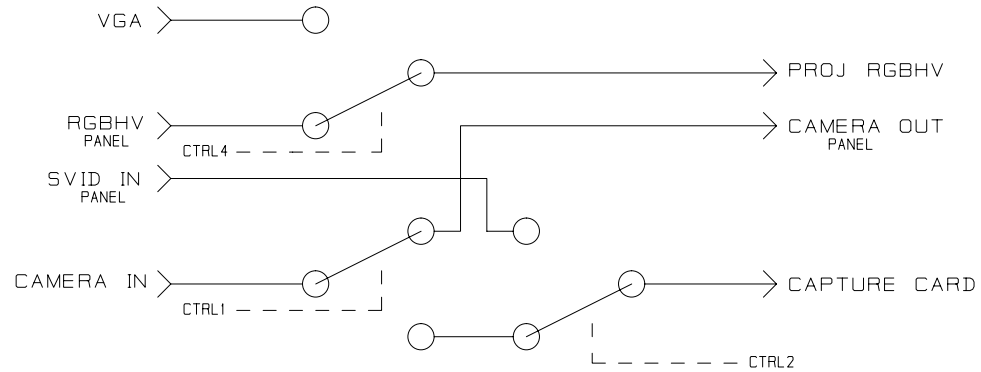


HIGH END SYSTEMS INC.		2105 GRACY FARMS LANE AUSTIN, TX 78758		
DRAWN	K. Lowe	SIZE	FSCM NO.	DWG. NO.
ISSUED	09-18-06	B		80010174
		SCALE		REV. 1.2.3
			SHEET 16	of 16

REVISION HISTORY				
SCH REV	PCB REV	ECO #	DATE	COMMENT
1.0	1.0		04-25-05	INITIAL RELEASE
1.0.1	1.0	1731	06-14-05	BOM CHANGE TO J6 / NO PCB CHANGE
1.0.2	1.0	1739	06-27-05	BOM CHANGE TO J18 & J19 / NO PCB CHANGE
1.0.3	1.0	2072	08-25-06	BOM CHANGE TO K1-K7, K10-11 / NO PCB CHANGE

DL2 VIDEO INTERFACE

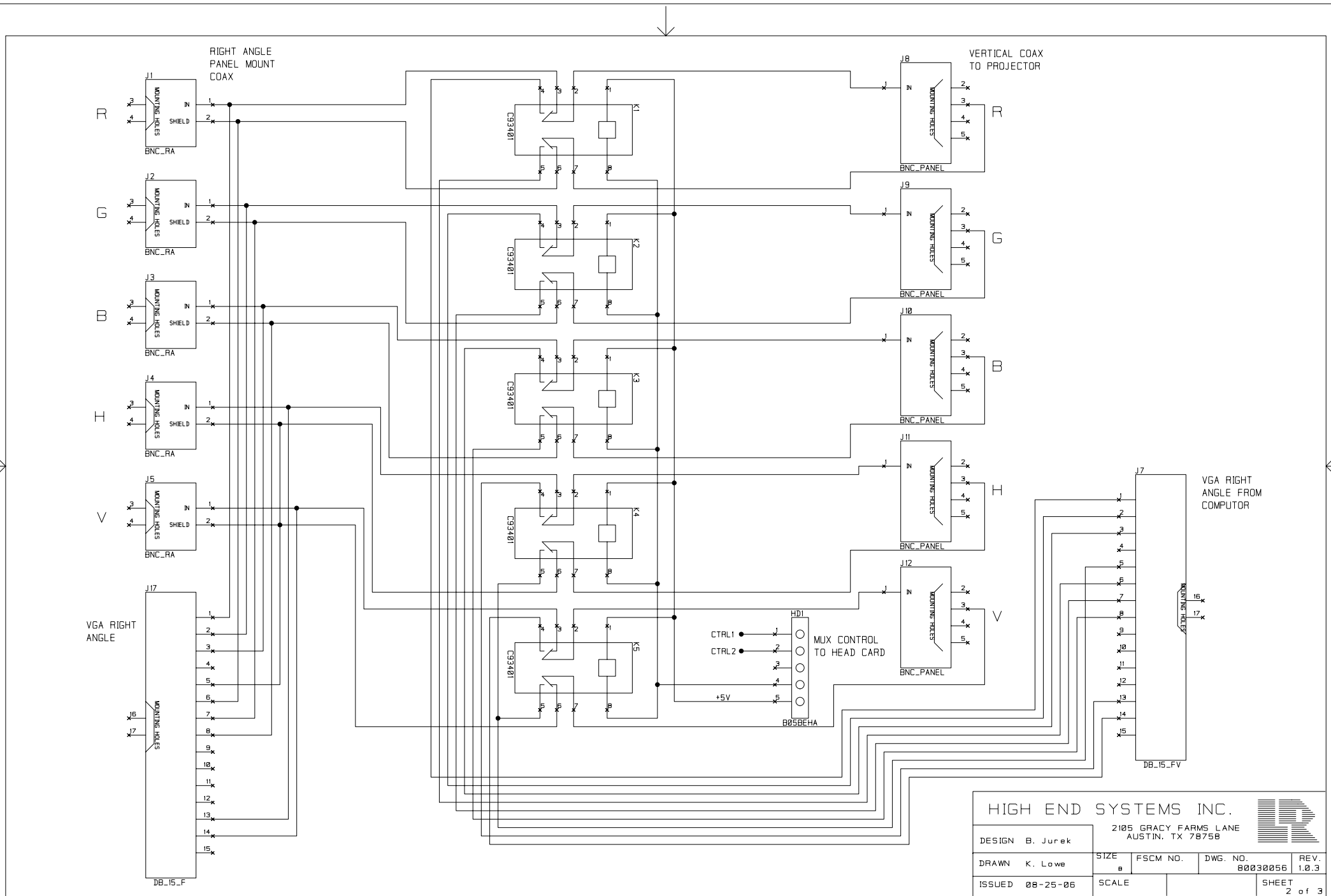
ASM: 80030056 REV: 1.0.3
 PCB: 99030161 REV: 1.0




Copyright (c) 1994-2006 High End Systems, Inc. All rights reserved worldwide.

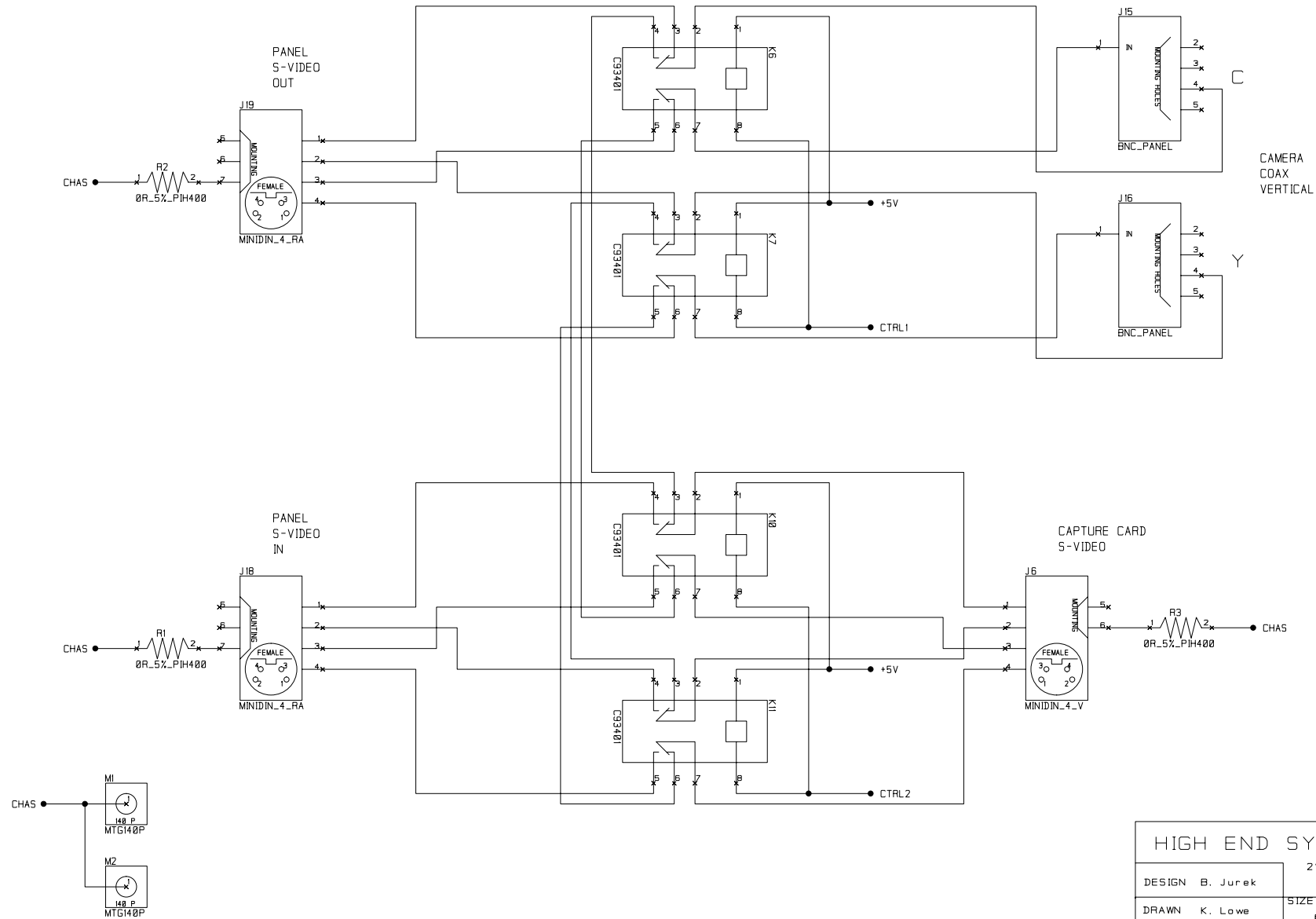
DL2, Lightwave Research, the Lightwave Research logo, High End Systems and the High End Systems logo are the registered trademarks of High End Systems, Inc. Trademarks and trade names of others may be used in this document to refer to either such other entities or to their products. High End Systems, Inc. disclaims any proprietary interest or connection to such marks or entities.


HIGH END SYSTEMS INC.				
2105 GRACY FARMS LANE AUSTIN, TX 78758				
DESIGN	B. Jurek	SIZE	FSCM NO.	DWG. NO.
DRAWN	K. Lowe	B		80030056
ISSUED	08-25-06	SCALE		REV. 1.0.3
				SHEET 1 of 3



HIGH END SYSTEMS INC.					
2105 GRACY FARMS LANE AUSTIN, TX 78758					
DESIGN	B. Jurek	SIZE	FSCM NO.	DWG. NO.	REV.
DRAWN	K. Lowe	B		80030056	1.0.3
ISSUED	08-25-06	SCALE			SHEET
					2 of 3

ALL SIGNALS ARE S-VIDEO



HIGH END SYSTEMS INC.					
2105 GRACY FARMS LANE AUSTIN, TX 78758					
DESIGN	B. Jurek	SIZE	FSCM NO.	DWG. NO.	REV.
DRAWN	K. Lowe	B		80030056	1.0.3
ISSUED	08-25-06	SCALE			SHEET 3 of 3


REVISION HISTORY				
SCH REV	PCB REV	ECO#	DATE	COMMENT
1.0	1.0		05-25-05	INITIAL RELEASE

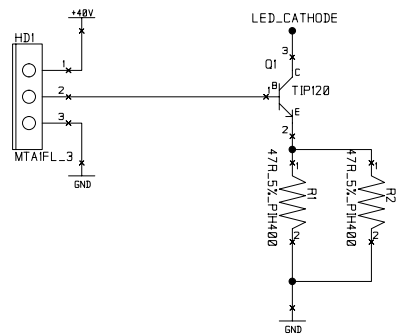
IR ILLUMINATOR BOARD

ASM: 80060009 REV: 1.0
 PCB: 99030148 REV: 1.0

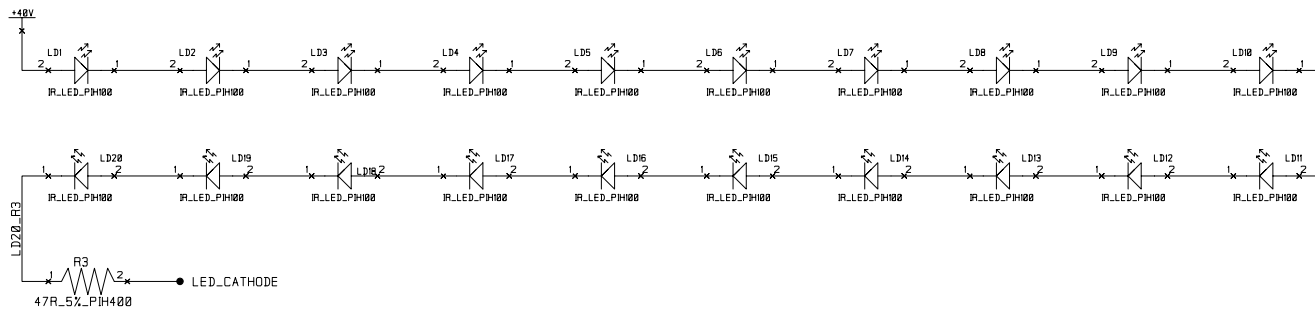
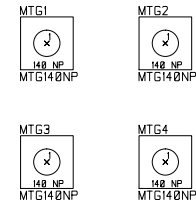
- 1) TITLE
- 2) POWER / LEDs
- 3) LEDs
- 4) MECHANICAL PARTS

Copyright (c) 1994 - 2005 High End Systems, Inc. All rights reserved worldwide.
 Lightwave Research, the Lightwave Research logo, High End Systems and the High
 End Systems logo are registered trademarks of High End Systems, Inc. Trademarks and trade
 names of others may be used in this document to refer to either such other entities or to
 their products. High End Systems, Inc. disclaims any proprietary interest or
 connection to such marks or entities.

HIGH END SYSTEMS INC.		2105 GRACY FARMS LANE AUSTIN, TX 78758		
TITLE		SIZE	FSCM NO.	DWG. NO.
DRAWN	K. Lowe	B		99030148
ISSUED	05-25-05	SCALE		REV. 1.0
				SHEET 1 of 4

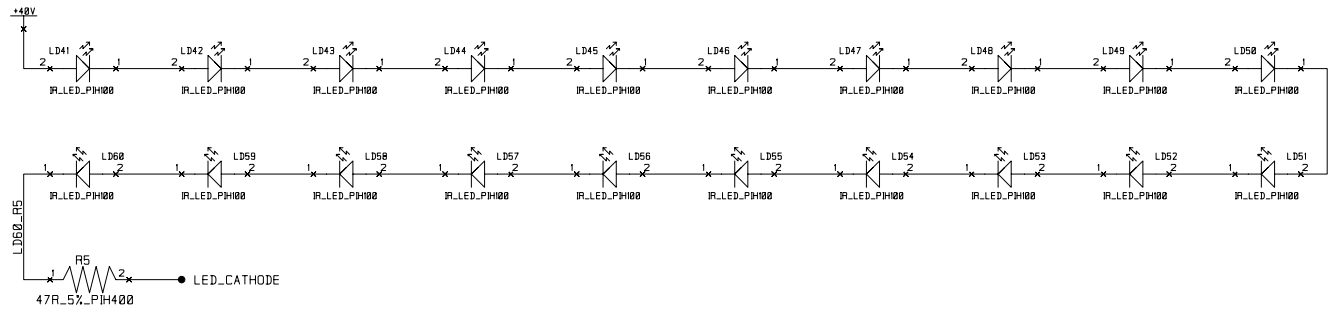
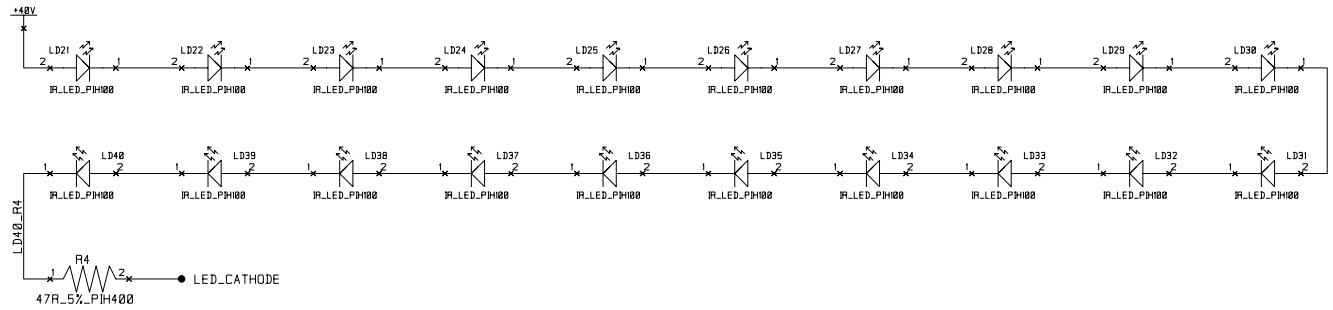



MOUNTING HOLES



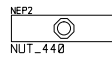
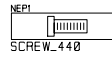
POWER / LEDs		HIGH END SYSTEMS INC.			
		2105 GRACY FARMS LANE AUSTIN, TX 78758			
DRAWN	K. Lowe	SIZE	FSCM NO.	DWG. NO.	REV.
ISSUED	05-25-05	B		99030148	1.0
SCALE					SHEET
					2 of 4





HIGH END SYSTEMS INC.					
LEDs					
2105 GRACY FARMS LANE AUSTIN, TX 78758					
DRAWN	K. Lowe	SIZE	FSCM NO.	DWG. NO.	REV.
ISSUED	05-25-05	B		99030148	1.0
SCALE					SHEET
					3 of 4

USED TO MOUNT Q1



HIGH END SYSTEMS INC.

2105 GRACY FARMS LANE
AUSTIN, TX 78758



DRAWN	K. Lowe	SIZE	FSCM NO.	DWG. NO.	REV.
ISSUED	05-25-05	B		99030148	1.0
		SCALE			SHEET
					4 of 4